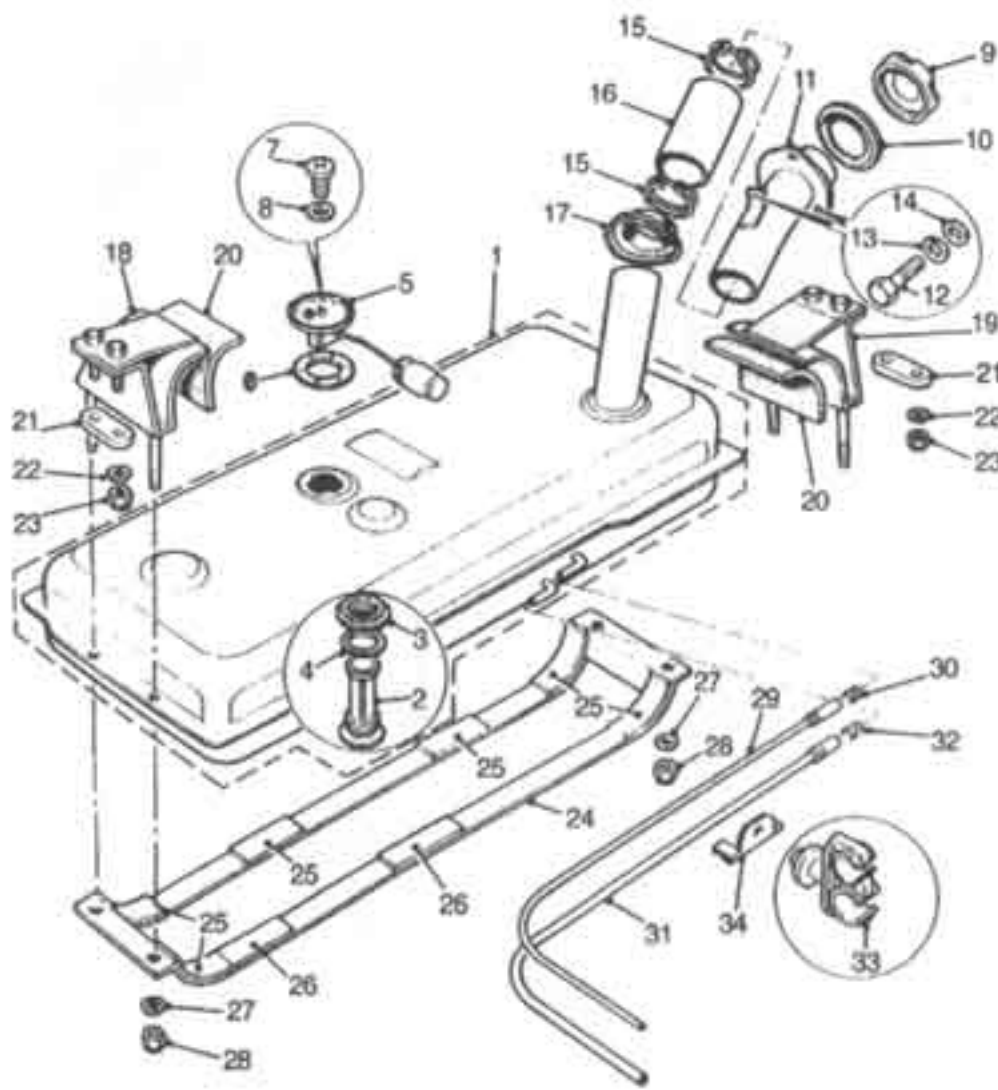


London Taxis International Taxi TX1 Range

J06
Fiche 1

Fuel & Exhaust Systems
Fuel System
Fuel Tank and Fittings

| Illus | Part Number | Description | Quantity | Change Point | Remarks |
|-------|-------------|-------------------------------------|----------|--------------|-------------|
| | 1 | TANK ASSEMBLY FUEL | NLA | | Use 900409. |
| | 1 | TANK ASSEMBLY FUEL | 1 | | |
| | 2 | • Filter-in tank fuel tank | 1 | | |
| | 3 | • Adaptor-filter | 1 | | |
| | 4 | • Washer-sealing | 1 | | |
| | 5 | Sensor unit fuel tank | 1 | | |
| | 6 | Gasket-fuel gauge sender unit | 1 | | |
| | 7 | Screw-sender unit to tank | 6 | | |
| | 8 | Washer-copper | 6 | | |
| | 9 | Cap-filler fuel filler | 1 | | |
| | 10 | Seal-filler pipe | 1 | | |
| | 11 | Pipe fuel filler | 1 | | |
| | 12 | Setscrew-M6 x 16 | 3 | | |
| | 13 | Washer-spring-M6 | 3 | | |
| | 14 | Washer-plain-M6 | 3 | | |
| | 15 | Clip-hose-worm drive | 2 | | |
| | 16 | Hose-filler fuel filler | 1 | | |
| | 17 | Gaiter-fuel filler pipe | 1 | | |
| | 18 | Bracket fuel tank-RH | 1 | | |
| | 19 | Bracket fuel tank-LH | 1 | | |
| | 20 | Pad-insulation | 1 | | |
| | 21 | Mounting-rubber | 1 | | |
| | 23 | Nut-hexagonal-nyloc-3/8UNF | 4 | | |
| | 24 | Cradle-fuel tank support | 1 | | |
| | 25 | Pad-insulation | 6 | | |
| | 26 | Pad-insulation | 2 | | |
| | 27 | Washer-plain-5/16" | 4 | | |
| | 28 | Nut-hexagonal-nyloc-5/16UNF | 4 | | |
| | 29 | Pipe-fuel return fuel tank | 1 | | |
| | 30 | Clip-pipe-1/4" | 1 | | |
| | 31 | Pipe-fuel feed-fuel tank | 1 | | |
| | 32 | Clip-pipe-5/16" | 1 | | |
| | 33 | Clip-pipe | 1 | | |



London Taxis International Taxi TX1 Range

J07
Fiche 1

Fuel & Exhaust Systems
Exhaust System
Exhaust System

Illus Part Number

- 1 609181
- 2 606600
- 3 607488
- 4 600216
- 5 600217
- 6 605082
- 7 600114
- 8 600115
- 8 605083
- 9 600116
- 10 S820HEX
- 11 WS8H
- 12 N8
- 13 600395

Description

- Downpipe assembly exhaust system..... 1
- Silencer assembly exhaust system-intermediate..... 1
- Silencer assembly exhaust system-rear 1
- Gasket-exhaust manifold to pipe 1
- Nut-downpipe to manifold 3
- Mounting-rubber exhaust system 4
- Bracket-mounting-exhaust 1
- Bracket-mounting-exhaust-silencer-RHD 1
- Bracket-mounting-exhaust-silencer-LHD 1
- Bracket-mounting-exhaust-tailpipe 2
- Setscrew-bracket to frame-M8 x 20 6
- Washer-spring-M8 8
- Nut-M8 8
- Clamp-exhaust..... 2

Quantity

Change Point

Remarks

