

# London Taxis International Taxi TX1 Range

N04

Fiche 1

Chassis & Bodyshell

Body Shell

Bodyshell

Illus Part Number

Description

Quantity

Change Point

Remarks

BODY LESS DOORS

1 900155

RHD..... 1

To (V) WC 102766 ..... Non EGR

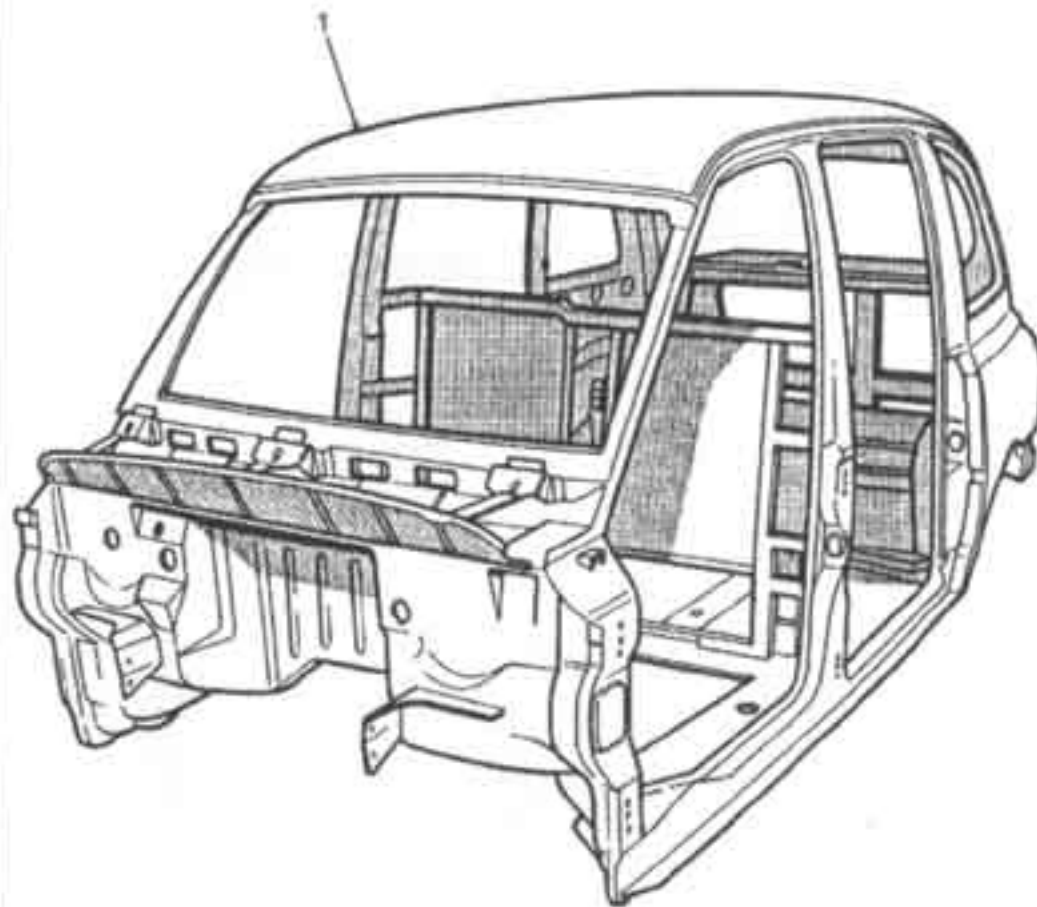
1 900517

RHD..... 1

From (V) WC 102767 ..... EGR

1 900618

LHD..... 1

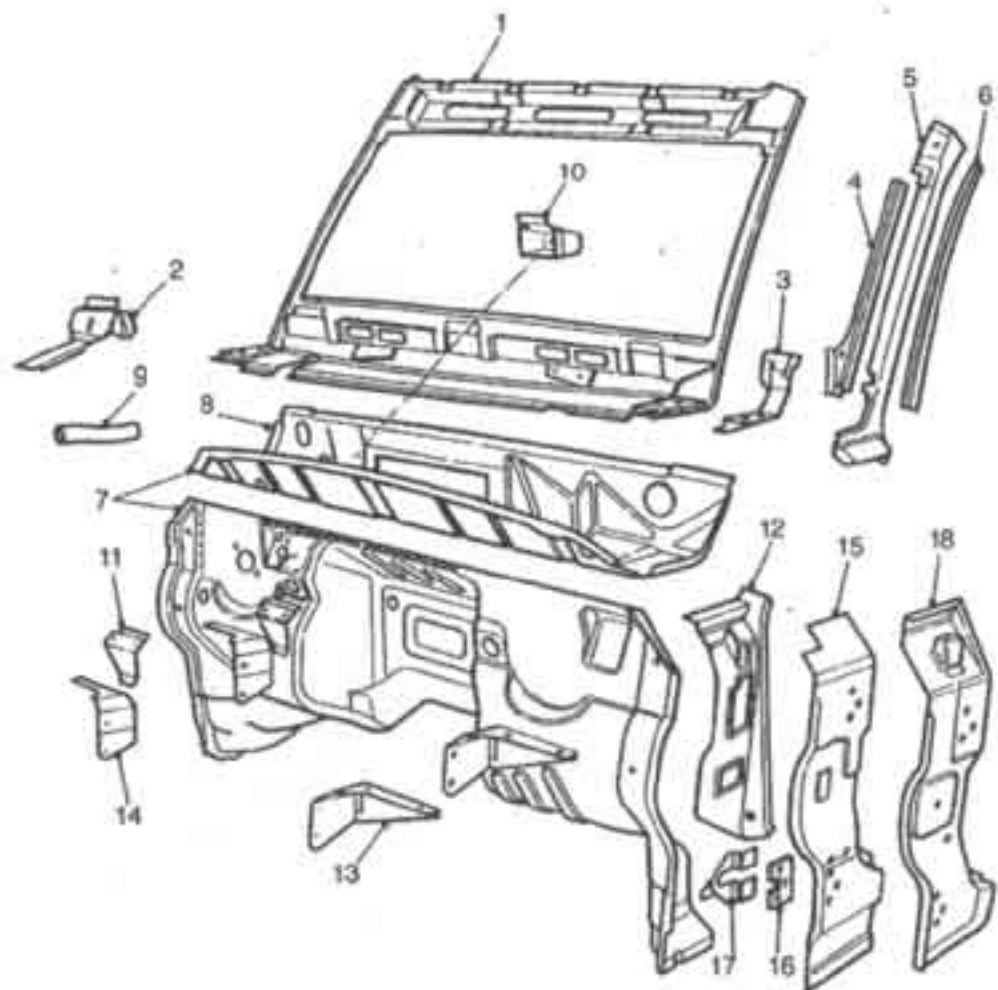


# London Taxis International Taxi TX1 Range

N05

Fiche 1

Chassis & Bodyshell  
Body Shell  
Windscreen and Bulkhead



illus Part Number

Description

Quantity

Change Point

Remarks

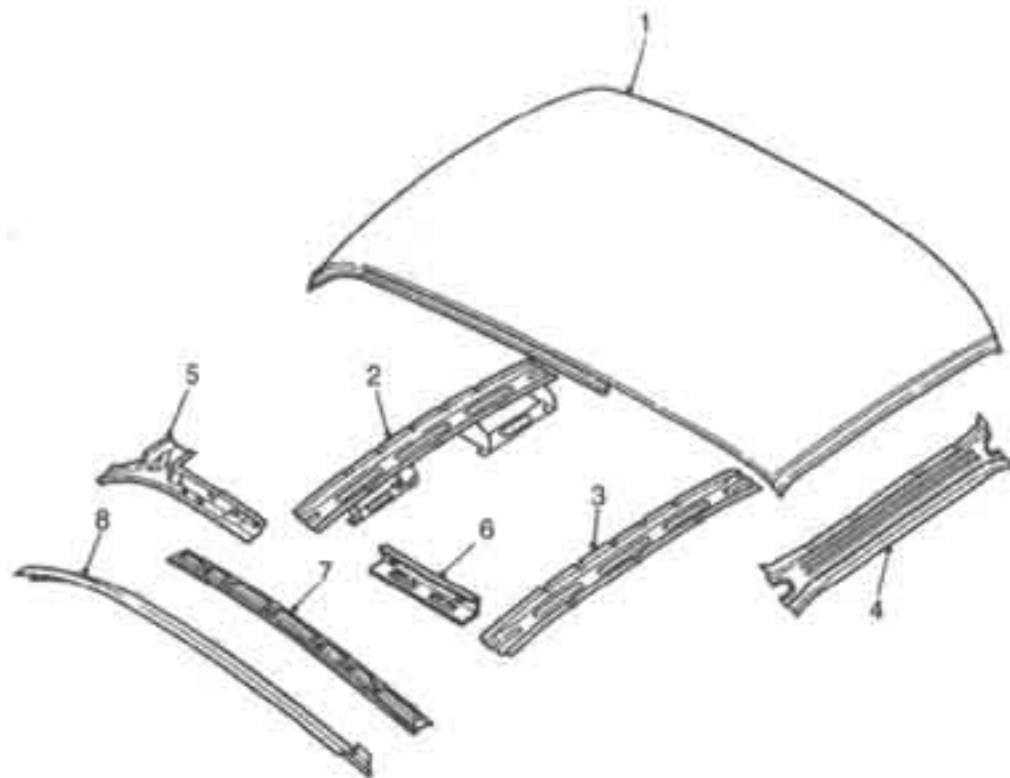
1	900085	Frame assembly-windscreen aperture .....	1		
<b>STIFFENER PLENUM-WIPER SPINDLE</b>					
2	900169	centre .....	1		
2	900170	L/H .....	1		
2	900171	R/H .....	1		
3	900158	Stiffener-bonnet hinge-LH .....	1		
3	900159	Stiffener-bonnet hinge-RH .....	1		
4	900180	Closing assembly-A post upper-LH .....	1		
4	900181	Closing assembly-A post upper-RH .....	1		
5	900162	Reinforcement-A post-upper-LH .....	1		
5	900163	Reinforcement-A post-upper-RH .....	1		
6	900164	A post-upper-outer-LH .....	1		
6	900165	A post-upper-outer-RH .....	1		
7	900074	BULKHEAD ASSEMBLY-BODY FRONT-RHD .....	1	To (V) WC 102768	
7	900514	BULKHEAD ASSEMBLY-BODY FRONT-RHD .....	1	From (V) WC 102767	Part of 900074.
8	900167	• Plenum assembly .....	1		
9	900168	• Tube-speedo cable .....	1		
8	900530	• Plenum assembly-RHD .....	1		Part of 900514.
7	900624	BULKHEAD ASSEMBLY-BODY FRONT-LHD .....	1		
8	900625	• Plenum assembly-LHD .....	1		
10	900172	Bracket-steering column upper-RHD .....	1		
10	900626	Bracket-steering column upper-LHD .....	1		
11	900173	Bracket-steering column-lower-RHD .....	1		
11	900627	Bracket-steering column-lower-LHD .....	1		
	900174	Bracket assembly-pedal box mounting .....	1		
12	900072	Closing assembly-A post-lower-LH .....	1		
12	900073	Closing assembly-A post-lower-RH .....	1		
13	900177	Reinforcement-valance-LH .....	1		
14	900178	Reinforcement-valance-RH .....	1		
15	900079	REINFORCEMENT ASSEMBLY-A POST-LH .....	1		
15	900080	REINFORCEMENT ASSEMBLY-A POST-RH .....	1		
16	609878	• Plate-tapping .....	1		
17	900180	• Retainer-tapping plate .....	1		
18	900075	A post-lower-outer-LH .....	1		
18	900076	A post-lower-outer-RH .....	1		

# London Taxis International Taxi TX1 Range

**N06**  
Fiche 1

Chassis & Bodyshell  
Body Shell  
Roof and Cantrails

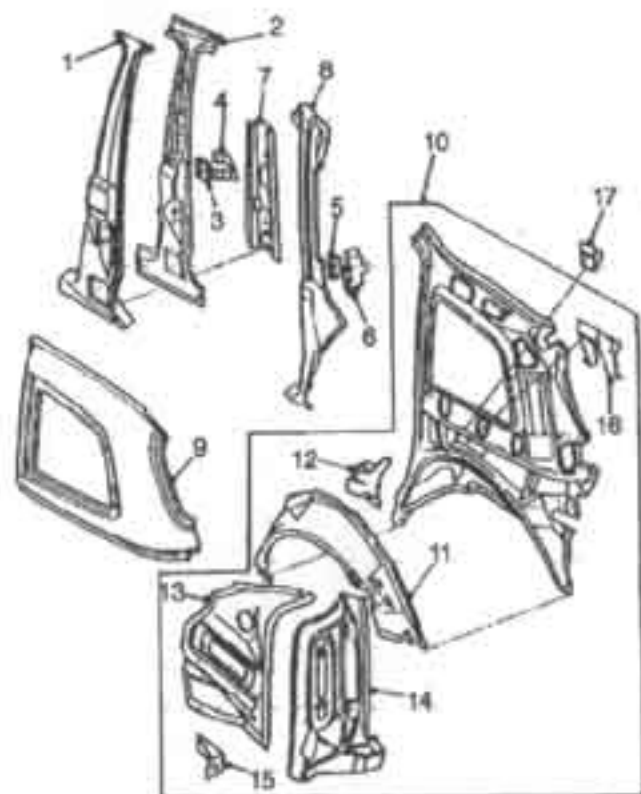
Illus	Part Number	Description	Quantity	Change Point	Remarks
1	900040	Roof-RHD .....	1		
1	900635	Roof-LHD .....	1		
2	900184	Roof bow-front-RHD .....	1		
2	900619	Roof bow-front-LHD .....	1		
3	900185	Roof bow-rear .....	1		
4	900186	Header-rear .....	1		
CLOSING-CANTRAIL					
5	900187	front-LH .....	1		
5	900188	front-RH .....	1		
6	900189	rear-LH .....	1		
6	900190	rear-RH .....	1		
7	900191	Cantrail-upper-LH .....	1		
7	900192	Cantrail-upper-RH .....	1		
8	900193	Cantrail-outer-LH .....	1		
8	900194	Cantrail-outer-RH .....	1		



# London Taxis International Taxi TX1 Range

**N07**  
Fiche 1

Chassis & Bodyshell  
Body Shell  
B Post and Rear Quarter



Illus	Part Number	Description	Quantity	Change Point	Remarks
1	900195	B post-outer-LH .....	1		
1	900196	B post-outer-RH-RHD .....	1		
1	900688	B post-outer-LHD .....	1		
2	900081	B POST-REINFORCEMENT-LH .....	1	To (V) WC 102766	
2	900082	B POST-REINFORCEMENT-RH .....	1	To (V) WC 102766	
2	900533	B POST-REINFORCEMENT-LH-RHD .....	1	From (V) WC 102767	
2	900534	B POST-REINFORCEMENT-RH-RHD .....	1	From (V) WC 102767	
2	900820	B POST-REINFORCEMENT-LH-LHD .....	1		
2	900821	B POST-REINFORCEMENT-RH-LHD .....	1		
3	609878	• Plate-tapping .....	2		
4	900180	• Retainer-tapping plate .....	2		Part of 900081, 900533, 900534, 900820, 900821.
5	606364	• Plate-tapping-striker .....	1		
6	900199	• Retainer-tapping plate .....	1		
4	900180	• Retainer-tapping plate .....	1		Part of 900082.
7	900083	B post-inner-LH-RHD .....	1		
7	900084	B post-inner-RH-RHD .....	1		
7	900622	B post-inner-LH-LHD .....	1		
7	900623	B post-inner-RH-LHD .....	1		
8	900077	D POST-OUTER-LH .....	1	To (V) XC 104010	
8	900078	D POST-OUTER-RH .....	1		
8	900548	D POST-OUTER-LH .....	1	From (V) XC 104011	
8	900549	D POST-OUTER-RH .....	1		
5	606364	• Plate-tapping-striker .....	1		
6	900199	• Retainer-tapping plate .....	1		
9	900041	Panel-rear quarter-outer-LH .....	1		
9	900042	Panel-rear quarter-outer-RH .....	1		

# London Taxis International Taxi TX1 Range

N08

Fiche 1

Chassis & Bodyshell  
Body Shell  
B Post and Rear Quarter

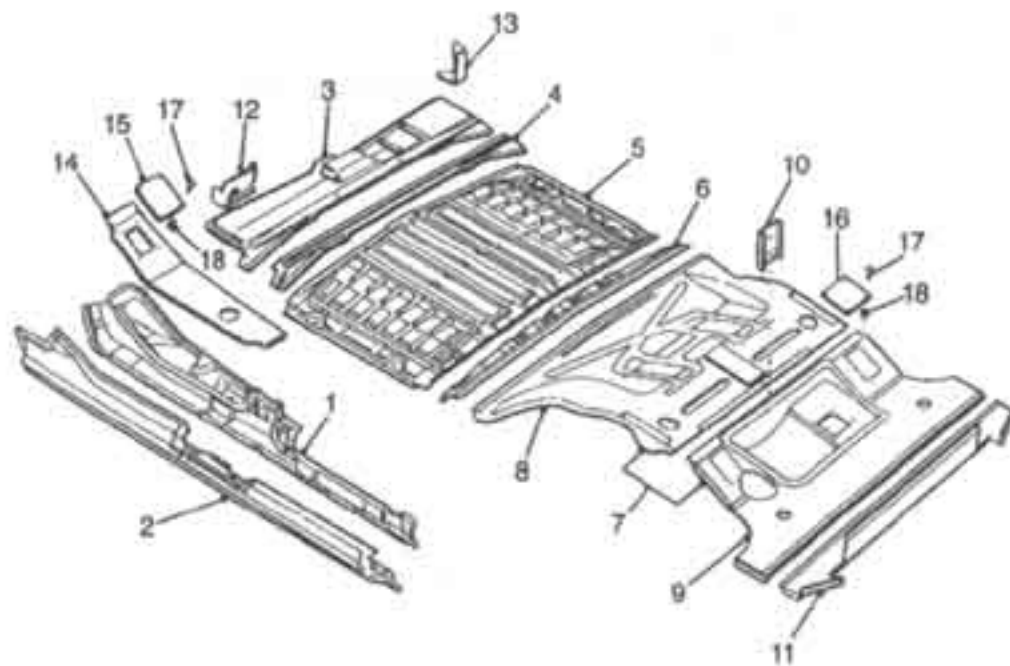
Illus	Part Number	Description	Quantity	Change Point	Remarks
	10	900205	PANEL ASSEMBLY-REAR QUARTER INNER AND. WHEELARCH -LH	1	
	11	900206	• Wheelarch-rear-outer-LH	1	
	12	900207	• Panel-extension-wheelarch-LH	1	
	13	900212	• Panel-rear end-LH	1	
	14	900780	• Panel-rear end-LH	1	
	15	900215	• Bracket-rear bumper endcap-LH	1	
		900216	• Bracket-boot stay-LH	1	
	16	900211	• Bracket-arm rest support	1	
	10	900208	PANEL ASSEMBLY-REAR QUARTER INNER AND. WHEELARCH -RH	1	
	11	900209	• Wheelarch-rear-outer-RH-RH	1	
	12	900210	• Panel-extension-wheelarch-RH	1	
	13	900213	• Panel-rear end-RH	1	
	14	900781	• Panel-rear end-RH	1	
	15	900267	• Bracket-rear bumper endcap-RH	1	
		900218	• Bracket-boot stay-RH	1	
		900211	• Bracket-arm rest support	1	
	17	900274	Bracket-support rear seat-LH	1	
	17	900275	Bracket-support rear seat-RH	1	
	18	900086	PANEL ASSEMBLY-PARCEL SHELF	1	
	19	900220	• Panel assembly-rear end upper	1	
20	900087	Panel-trunk-lower	1		

# London Taxis International Taxi TX1 Range

**N09**  
Fiche 1

Chassis & Bodyshell  
Body Shell  
Sills, Rear and Floor

Illus	Part Number	Description	Quantity	Change Point	Remarks
	1 900223	Sill inner-c/w floor extension-LH .....	1		
	1 900224	Sill inner-c/w floor extension-RH .....	1		
	2 900051	Sill outer-LH .....	1		
	2 900052	Sill outer-RH .....	1		
	3 900225	Crossmember assembly-floor-RHD .....	1		
	3 900628	Crossmember assembly-floor-LHD .....	1		
	4 900226	Closing-floor longitudinal-front .....	1		
	5 900227	Floor assembly-centre .....	1		
	6 900232	Closing-floor longitudinal-centre floor to rear floor .....	1		
	7 900233	FLOOR-SEAT PAN AND BOOT COMPLETE .....	1	To (V) XC 105585	
	7 900675	FLOOR-SEAT PAN AND BOOT COMPLETE .....	1	From (V) XC 105586	
	8 900234	• Rear floor .....	1		
	9 900235	• Floor assembly-boot .....	1		
	11 900222	• Panel-trunk-rear .....	1		
	10 900236	Mounting-rear seat squab .....	1		
		BRACKET-SEAT BELT REEL			
	12 900238	wheelchair occupant-RHD .....	1	To (V) WC 102766	
	12 900531	wheelchair occupant-RHD .....	1	From (V) WC 102767	
	12 900629	RH-LHD .....	1		
	13 900239	division and B post-RHD .....	1	To (V) WC 102766	
	13 900532	RH-RHD .....	1	From (V) WC 102767	
	13 900637	RH-LHD .....	1		
	13 900630	LH-LHD .....	1		
	14 900353	Stiffener-front main floor-upper-LH .....	1		
	9578	Tie-cable .....	3		
	14 900354	Stiffener-front main floor-upper-RH .....	1		
	9578	Tie-cable .....	3		
	15 607331	Panel-access-front body mounting .....	2		
	16 607331	Panel-access-fuel sender .....	1		
	17 8182SS	Screw-access panel-No 8 x 3/4-stainless steel .....	12		
	18 607075	Nut-plastic .....	12		



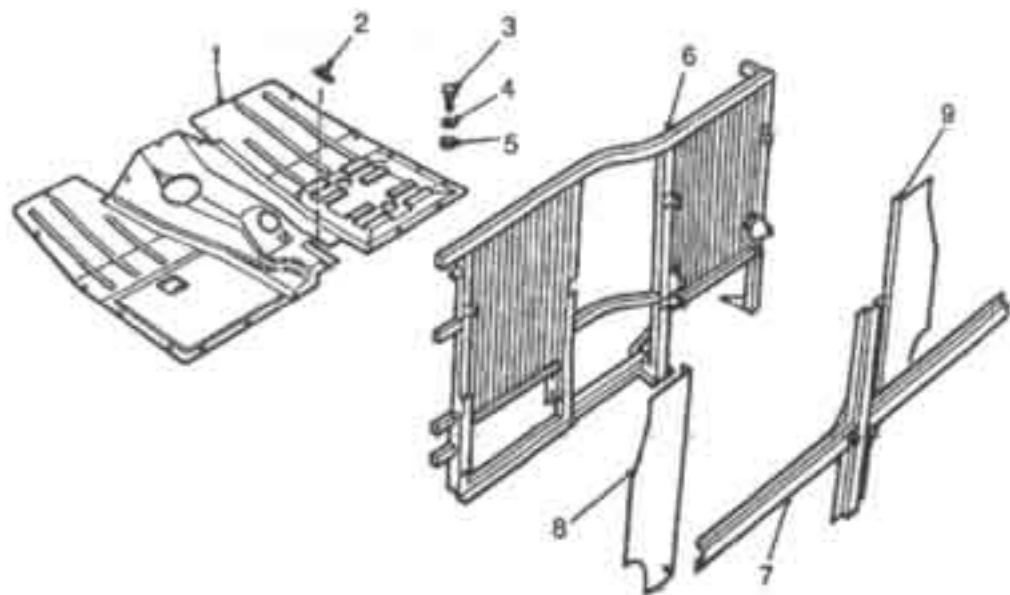
# London Taxis International Taxi TX1 Range

N10

Fiche 1

Chassis & Bodyshell  
Body Shell  
Front Floor and Division Assembly

Illus	Part Number	Description	Quantity	Change Point	Remarks
<b>FLOOR ASSEMBLY</b>					
1	900241	front-centre-automatic-RHD.....	1		
1	900633	front-centre-automatic-LHD.....	1		
1	900242	front-centre-manual-RHD.....	1		
1	900634	front-centre-manual-LHD.....	1		
2	7155	Seal-handbrake tunnel.....	A/R		
3	S616HEX	Setscrew-M6 x 16.....	10		
4	WS6H	Washer-spring-M6.....	10		
5	8218	Washer-plain-M6.....	10		
6	900243	Division assembly-lower.....	1		
6	900518	Division assembly-lower-RHD.....	1		To (V) WC 102766
6	900636	Division assembly-lower-LHD.....	1		From (V) WC 102767
7	900244	Support assembly-rear seat squab.....	1		
8	900390	Support assembly-rear seat squab-LH.....	1		
9	900391	Support assembly-rear seat squab-RH.....	1		



# London Taxis International Taxi TX1 Range

N11

Fiche 1

Chassis & Bodyshell  
Body Shell  
Front Panels and Valances

Illus	Part Number	Description	Quantity	Change Point	Remarks
	1 900043	Crossmember-front-body-RHD	1		
	1 900617	Crossmember-front-body-LHD	1		
	2 608186	Strut-bonnet locking platform	1		
	9 900044	VALANCE ASSEMBLY-FRONT-LH	1	To (V) WC 102766	
	9 900045	VALANCE ASSEMBLY-FRONT-RH	1		
	9 900515	VALANCE ASSEMBLY-FRONT-LH-RHD	1	From (V) WC 102767	
	9 900516	VALANCE ASSEMBLY-FRONT-RH-RHD	1		
	10 900068	• Panel-headlamp surround-front-LH	1		Part of 900044, 900515.
	11 900047	• Panel-headlamp surround-side-LH	1		Part of 900044, 900515.
	12 900046	• Tray assembly-battery	1		Part of 900044, 900515.
	10 900069	• Panel-headlamp surround-front-RH	1		Part of 900045, 900516.
	11 900048	• Panel-headlamp surround-side-RH	1		Part of 900045, 900516.
	9 900631	VALANCE ASSEMBLY-LH-LHD	1		
	10 900068	• Panel-headlamp surround-front-LH	1		
	11 900047	• Panel-headlamp surround-side-LH	1		
	9 900632	VALANCE ASSEMBLY-RH-LHD	1		
	10 900069	• Panel-headlamp surround-front-RH	1		
	11 900048	• Panel-headlamp surround-side-RH	1		
	12 900639	• Tray assembly-battery	1		
	16 900049	Platform-bonnet locking-RHD	1		
	16 900655	Platform-bonnet locking-low rad-RHD	1		
	16 900616	Platform-bonnet locking-LHD	1		
<b>FIXINGS FRONT PANELS &amp; VALANCES</b>					
	3 S820HEXDC	Setscrew-M8 x 20-Dacromet	A/R		
	4 WS8HDC	Washer-spring-M8-Dacromet	A/R		
	5 WPL8HDC	Washer-plain-M8-Dacromet	A/R		
	6 S616HEXDC	Setscrew-M6 x 16-Dacromet	A/R		
	7 WS6HDC	Washer-spring-M6-Dacromet	A/R		
	8 WPL6HDC	Washer-plain-M6-Dacromet	A/R		
	13 S1025HEXDC	Setscrew-M10 x 25	A/R		
	14 WS10HDC	Washer-spring-M10	A/R		
	15 WPL10HDC	Washer-plain-Dacromet-M10	A/R		
	S816HEXDC	Screw-M8 x 16-Dacromet	A/R		
	S825HEXDC	Setscrew-Dacromet-M8 x 25	A/R		

