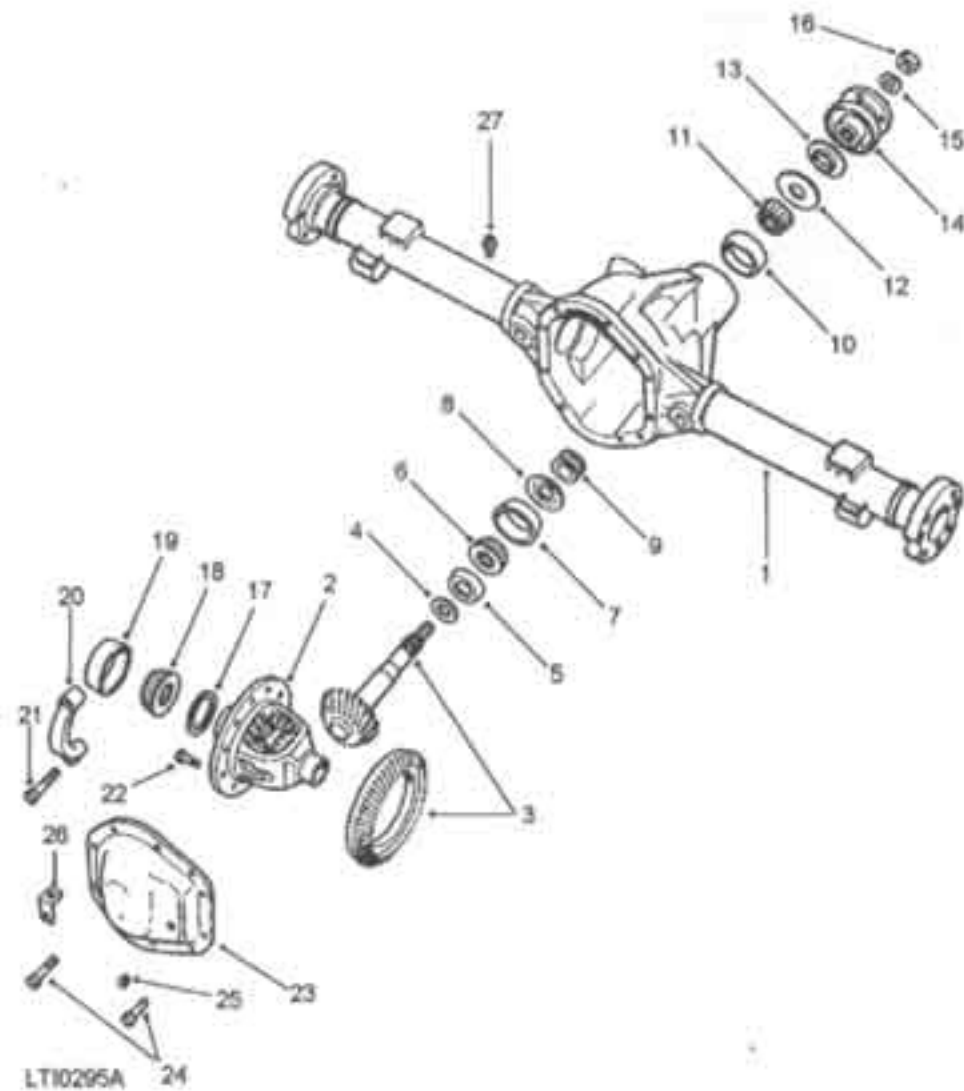


London Taxis International Taxi TX1 Range

G09
Fiche 1

Axles, Suspension & Wheels
Rear Axle
Axle Case Assembly M226

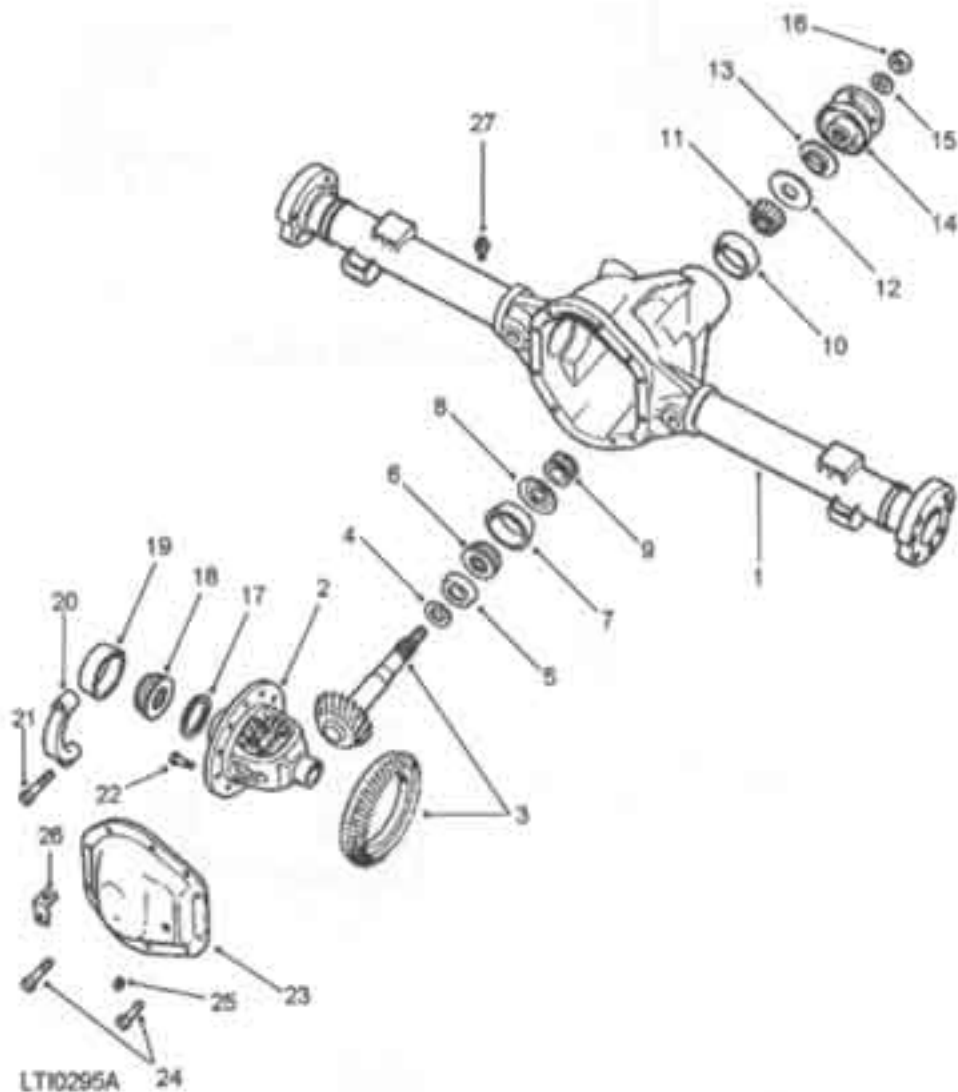


Illus	Part Number	Description	Quantity	Change Point	Remarks
1	900696	Case-rear axle-RHD	1		RHD
1	900697	Case-rear axle-LHD	1		LHD
2	900748	Differential assembly-rear	1		
3	900749	Gear assembly-final drive differential	1		
		SHIM			
4	900704	0.76mm	A/R		
4	900705	0.99mm	A/R		
4	900706	1.02mm	A/R		
4	900707	1.04mm	A/R		
4	900708	1.07mm	A/R		
4	900709	1.09mm	A/R		
4	900710	1.12mm	A/R		
4	900711	1.14mm	A/R		
4	900712	1.17mm	A/R		
4	900713	1.19mm	A/R		
4	900714	1.22mm	A/R		
4	900715	0.79mm	A/R		
4	900716	1.24mm	A/R		
4	900717	1.27mm	A/R		
4	900718	1.30mm	A/R		
4	900719	1.32mm	A/R		
4	900720	1.35mm	A/R		
4	900721	1.37mm	A/R		
4	900722	1.40mm	A/R		
4	900723	1.42mm	A/R		
4	900724	1.45mm	A/R		
4	900725	1.47mm	A/R		
4	900726	0.81mm	A/R		
4	900727	1.50mm	A/R		
4	900728	1.52mm	A/R		
4	900729	1.55mm	A/R		
4	900730	1.58mm	A/R		
4	900731	1.60mm	A/R		
4	900732	1.63mm	A/R		
4	900733	1.65mm	A/R		
4	900734	0.74mm	A/R		
4	900735	0.71mm	A/R		
4	900736	0.69mm	A/R		
6	900747	Bearing-taper roller inner cone	1		
7	900746	Bearing-taper roller inner cone	1		
8	900741	Baffle-pinion oil	1		
9	900739	Spacer-collapsible	1		

London Taxis International Taxi TX1 Range

G10
Fiche 1

Axles, Suspension & Wheels
Rear Axle
Axle Case Assembly M226

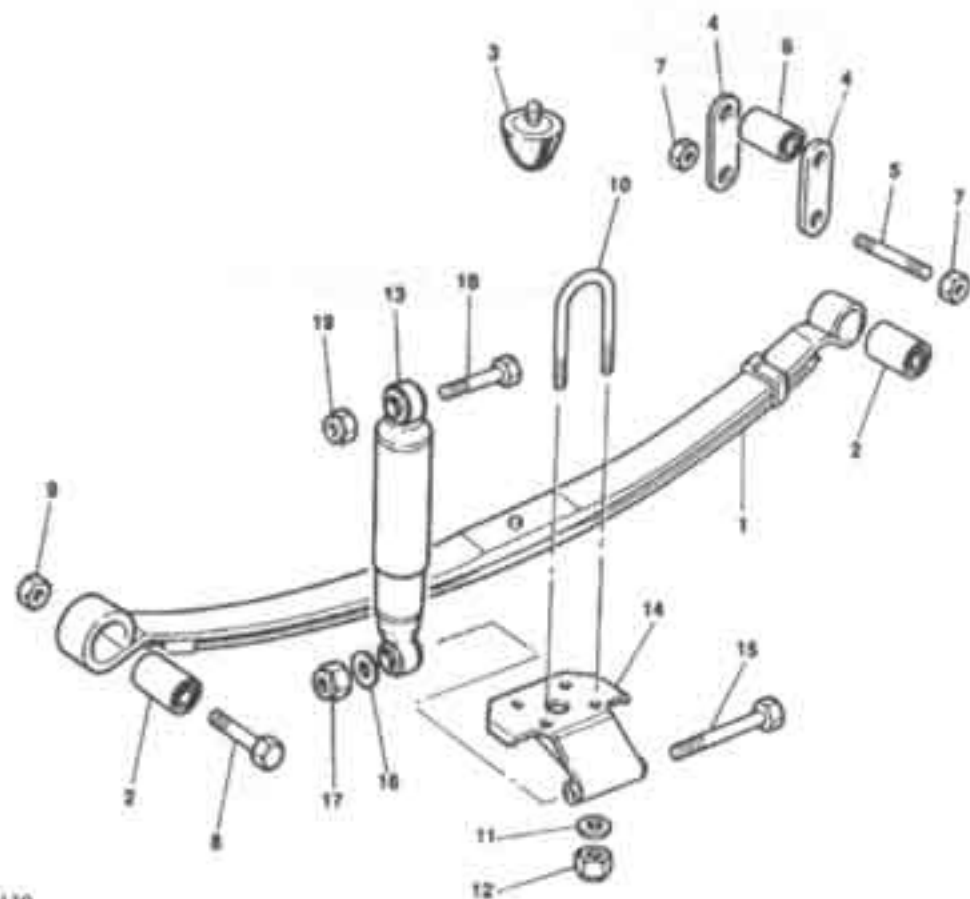


Illus	Part Number	Description	Quantity	Change Point	Remarks
10	900745	Bearing-taper roller outer cone	1		
11	900744	Bearing-taper roller inner cone	1		
12	900740	Washer-thrust-pinion differential	1		
13	900698	Seal-pinion oil	1		
14	900750	Flange-driveshaft coupling differential	1		
15	900703	Washer	1		
16	900737	Nut-pinion	1		
SHIM					
17	900699	0.08mm	A/R		
17	900700	0.13mm	A/R		
17	900701	0.25mm	A/R		
17	900702	0.76mm	A/R		
18	900742	Bearing-taper roller inner cone	1		
19	900743	Bearing-taper roller outer cone	1		
21	900752	Bolt	4		
22	900738	Screw	10		
23	900754	Cover-rear axle differential	1		
24	900753	Bolt	10		
25	900755	Plug-level	1		
27	603179	Breather-rear axle	1		
	900792	Shaft-rear axle half	1		
	900791	Catcher-oil	1		

London Taxis International Taxi TX1 Range

G11
Fiche 1

Axles, Suspension & Wheels
Rear Suspension
Rear Suspension



Illus	Part Number	Description	Quantity	Change Point	Remarks
1	606520	SPRING ASSEMBLY-ROAD REAR LEAF	NLA	Use 606980 Improved bush durability.
2	800386	• Bush-spring eye rear leaf	NLA	Use 900374 to improve bush durability.
1	608980	SPRING ASSEMBLY-ROAD REAR LEAF	NLA	Use 609517.
1	609517	SPRING ASSEMBLY-ROAD REAR LEAF	2	
2	900374	• Bush-spring eye rear leaf	4	
3	606689	Stop-rebound rear suspension	2	
4	JHM2123	Plate-shackle rear leaf	4	
5	JHM2124	Pin-shackle	4	
6	801741	Bush-shackle rear leaf	NLA	Use JHM2279.
6	JHM2279	Bush-shackle rear leaf	2	
7	8129	Nut-7/16UNF	8	
8	801716	Bolt	2	
9	8132	Nut-1/2UNF	2	
10	600516	Bolt-u	4	To (V) XC 105585	
10	606950	Bolt-u	4	From (V) XC 105586	
11	900115	Washer-7/16"	8	
12	8195	Nut-hexagonal-nyloc-7/16UNF	8	
12	8275	Nut-hexagonal-nyloc-M12	8	
13	606521	Damper assembly rear	2	To (V) XC 105585	
13	609576	Damper assembly rear	2	From (V) XC 105586	
14	608144	Bracket assembly-rear damper-lower	2	To (V) XC 105585	
14	606957	Bracket assembly-rear damper-lower	2	From (V) XC 105586	
15	B12185HEX	Bolt-damper lower fixing-M12 x 185	2	
16	WPL12H	Washer-damper lower fixing-M12	2	
17	NL12	Nut-hexagonal-nyloc-damper lower fixing-M12	2	
18	B1070HEX	Bolt-damper upper fixing-M10 x 70	2	
19	NL10	Nut-hexagonal-nyloc-damper upper fixing-M10	2	