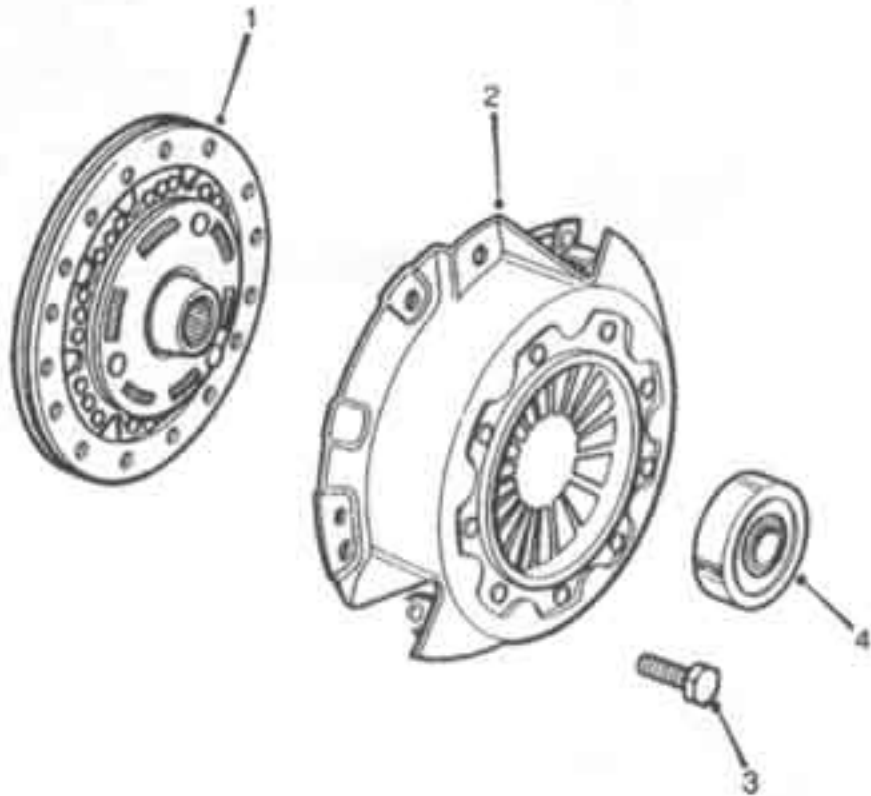


London Taxis International Taxi TX1 Range

D02
Fiche 1

Clutch & Propshaft
Clutch and Propshaft
Clutch Disc and Pressure Plate

Illus	Part Number	Description	Quantity	Change Point	Remarks
	1 801215	Plate-clutch-driven-asbestos free-O.E.....	1		
	2 800492	Plate-pressure clutch-O.E.....	1		
	3 800493	Bolt.....	6		
	4 800834	Bearing-clutch release-O.E.....	1		
	801508	KIT-CLUTCH.....	1		
	1 801505	• Plate-clutch-driven-LTI approved.....	1		
	2 801506	• Plate-pressure clutch-LTI approved.....	1		
	4 801507	• Bearing-clutch release-LTI approved.....	1		
	TCK900E	Kit-clutch-exchange.....	1		



London Taxis International Taxi TX1 Range

D03

Fiche 1

Clutch & Propshaft
Clutch and Propshaft
Clutch Operating Lever

Illus Part Number

- 1 800831
- 2 800833
- 3 800837
- 4 800832
- 5 800834
- 5 801507
- 6 801231
- 7 800835
- 8 800836

Description

- Arm-clutch release clutch
- Spring-clutch release lever
- Seal-dust clutch housing.....
- Clip.....
- Bearing-clutch release-O.E.....
- Bearing-clutch release-LTI approved.....
- Clip-bearing retainer
- Spring
- Spring

Quantity

Change Point

Remarks

- 1
- 1
- 1
- 1
- 1
- 1
- 1
- 1
- 1

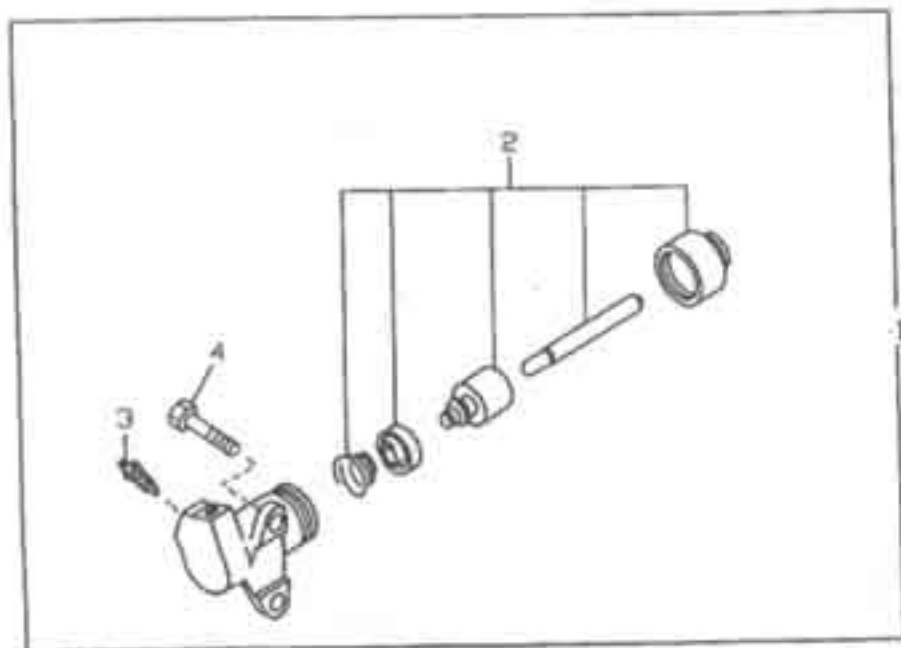


London Taxis International Taxi TX1 Range

D05
Fiche 1

Clutch & Propshaft
Clutch and Propshaft
Clutch Slave Cylinder

Illus	Part Number	Description	Quantity	Change Point	Remarks
1	603282	SLAVE CYLINDER CLUTCH.....	1		
2	900107	• Kit-repair clutch slave cylinder.....	1		
3	900108	• Screw-bleed clutch slave cylinder.....	1		
4	603283	Bolt.....	2		



LTI 0196

London Taxis International Taxi TX1 Range

D06
Fiche 1

Clutch & Propshaft
Clutch and Propshaft
Propshafts

Illus	Part Number	Description	Quantity	Change Point	Remarks
1	608145	Propellor shaft assembly-automatic.....	1	To (V) XC 105585	
1	606912	Propellor shaft assembly-automatic.....	1	From (V) XC 105586	
2	608146	Propellor shaft assembly-manual	1	To (V) XC 105585	
2	606935	Propellor shaft assembly-manual	NLA	From (V) XC 105586.....	Use 610639.
2	610639	Propellor shaft.....	1	From (V) XC 105586.....	Manual
3	801123	Kit-propshaft coupling.....	2		
4	JHM574	Bolt-propshaft coupling.....	4		Automatic
4	900612	Bolt-propshaft coupling-3/8UNF x 1 1/2.....	4		Manual
4	606979	Bolt-propshaft coupling-M10.....	4		
5	JHM575	Washer-plain-thick-propshaft coupling.....	4		
6	801770	Nut-hexagonal-nyloc-propshaft coupling-3/8UNF	4		
6	8276	Nut-hexagonal-nyloc-propshaft coupling-M10.....	4		
7	610120	Absorber-rear axle vibration	1		Manual

