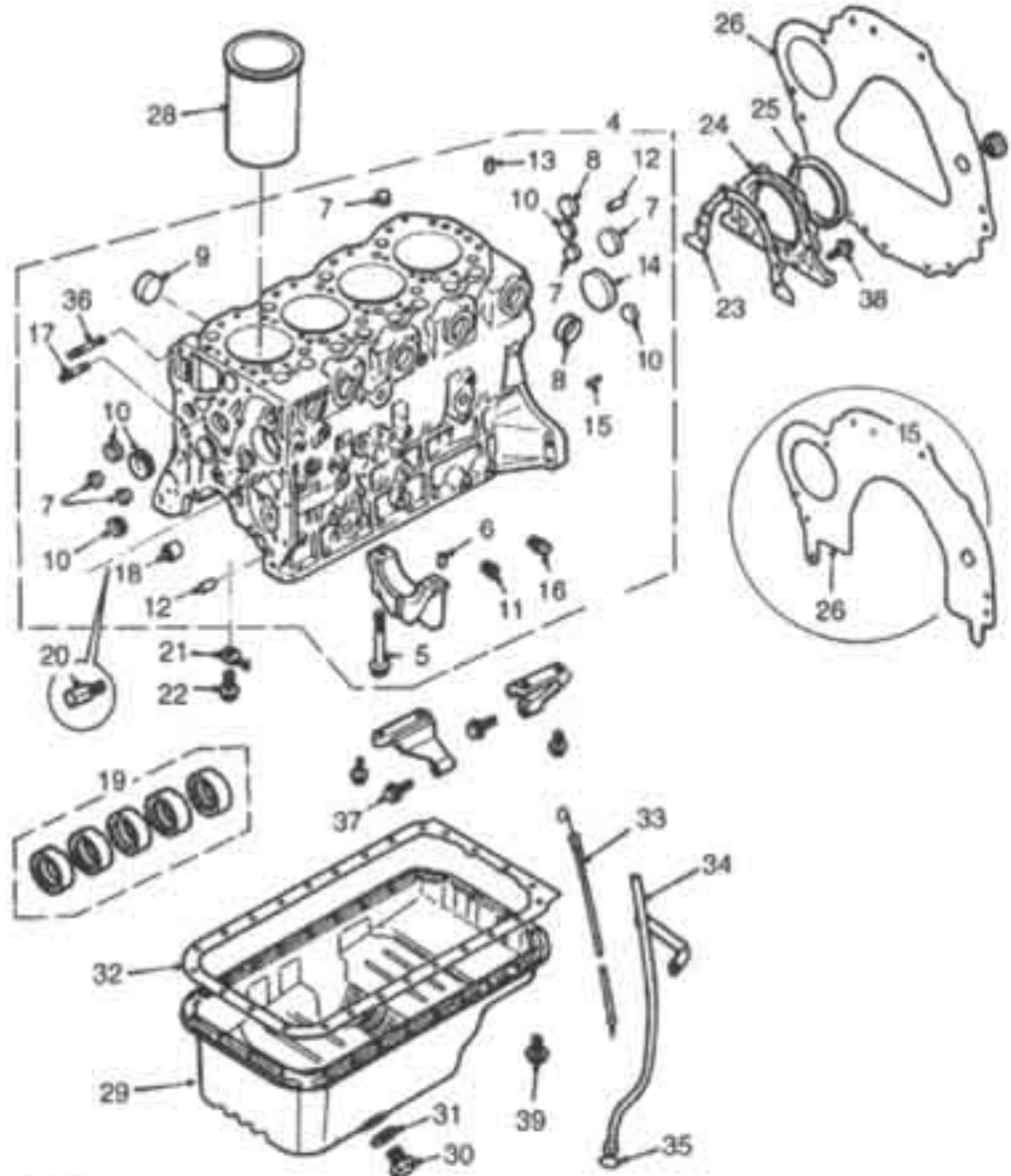


London Taxis International Taxi TX1 Range

C06
Fiche 1

Engine
Diesel Engine
Cylinder Block and Sump



illus Part Number

- 4 800054
- 5 800055
- 6 800056
- 7 800057
- 8 800058
- 9 800059
- 10 800060
- 11 800061
- 12 800026
- 13 800027
- 14 800028
- 15 800029
- 17 800030
- 18 800031
- 19 800032
- 19 800033
- 19 800034
- 19 800035
- 20 800036
- 21 800037
- 22 800038
- 28 800044
- 38 800951
- 23 800039
- 24 800040
- 25 800041
- 26 800042
- 26 800043
- 29 800045
- 30 800046
- 31 800047
- 31 801510
- 32 800048
- 33 800049
- 34 603063
- 35 800051
- 37 800956
- 38 801033
- 39 801089

Description

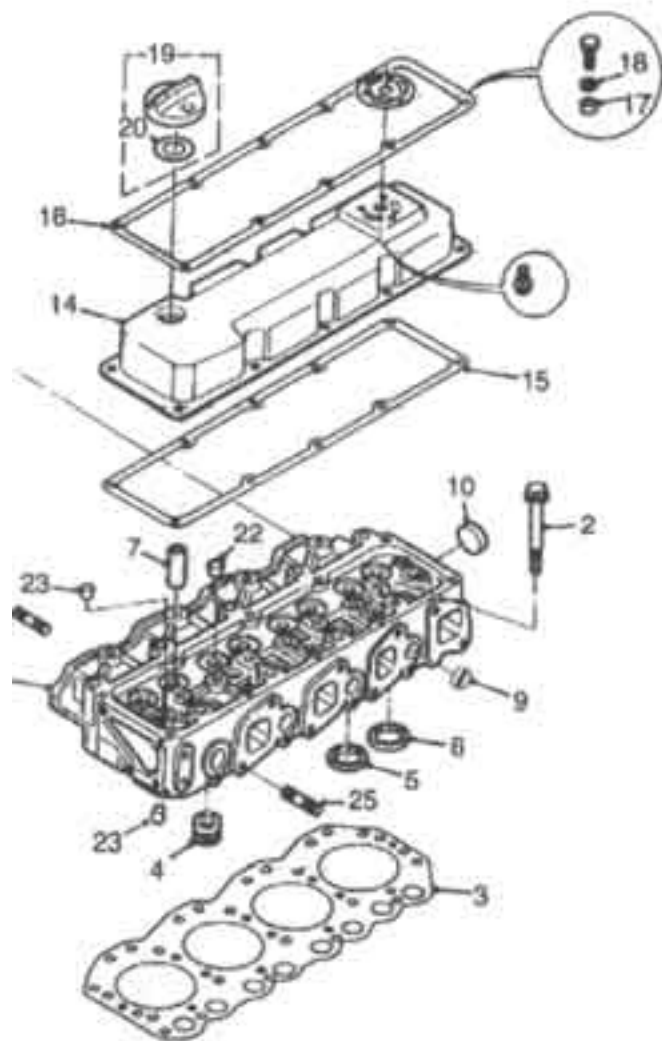
- CYLINDER BLOCK-ENGINE.....1
- Bolt-flanged head.....10
- Dowel-ring.....1
- Plug-taper thread.....13
- Plug-core.....11
- Plug-core.....1
- Plug-taper thread.....4
- Plug-taper thread.....2
- Dowel-pin.....4
- Pin.....2
- Plug-core.....1
- Dowel.....2
- Stud.....1
- Bush.....1
- SET-CAMSHAFT BEARINGS.....1
- standard.....1
- 0.25mm undersize.....1
- 0.50mm undersize.....1
- 0.75mm.....1
- Jet-chain lubrication.....1
- Jet body-piston cooling.....4
- Bolt-banjo.....4
- Liner-engine cylinder.....4
- Stud.....1
- Gasket-crankcase rear oil seal housing.....1
- Housing-crankshaft rear oil seal.....1
- Seal-crankshaft rear oil.....1
- Plate-gearbox mounting.....1
- Plate-gearbox mounting.....1
- SUMP ASSEMBLY-ENGINE OIL.....1
- Plug-drain.....1
- Washer-sealing-O.E.....1
- Washer-sealing-LTI approved.....1
- Gasket-sump.....1
- Dipstick-oil.....1
- Tube-oil dipstick.....1
- O ring.....1
- Bolt.....1
- Bolt.....1
- Bolt.....1

Quantity

Change Point

Remarks

..... Manual
..... Automatic



Illus	Part Number	Description	Quantity	Change Point	Remarks
2	800062	Bolt-cylinder head fixing.....	18		
GASKET-CYLINDER HEAD					
3	800063	1.15mm.....	1		
3	800064	1.20mm.....	1		
3	800065	1.25mm.....	1		
4	800066	Insert-cylinder head-pre combustion chamber.....	4		
5	800067	Seat-cylinder head inlet valve.....	4		
SEAT-CYLINDER HEAD EXHAUST VALVE					
6	800068	standard.....	4		
6	800069	0.20mm oversize.....	4		
6	800070	0.40mm.....	4		
7	800071	Guide-valve-cylinder head inlet.....	8		
8	900500	Cylinder head assembly-engine-new.....	1		EGR Non EGR
8	800072	CYLINDER HEAD ASSEMBLY-ENGINE-NEW.....	1		
8	800927	CYLINDER HEAD ASSEMBLY-ENGINE-RECONDITIONED.....	1		
9	800060	• Plug-taper thread.....	7		
10	800058	• Plug-core.....	2		
11	800073	• Holder-nozzle diesel.....	4		
12	800074	• Seal.....	4		
13	800075	• Bracket-lifting engine rear.....	1		
14	800076	Cover assembly-valve rocker.....	1		Part of 800927.
15	800077	Gasket-engine rocker cover-O.E.....	1		
15	801512	Gasket-engine rocker cover-LTI approved.....	1		
16	800078	Tray-rocker cover.....	1		
	801056	Bolt-rocker cover.....	10		
17	800079	Spacer.....	10		
18	800080	Washer.....	10		
19	800081	CAP ASSEMBLY-OIL FILLER.....	1		
20	800082	• Seal-oil filler cap.....	1		
21	800368	Bolt.....	1		
22	800983	Plug.....	1		
23	800968	Plug.....	2		
24	800969	Stud-inlet manifold.....	1		
25	800984	Stud-exhaust manifold.....	1		

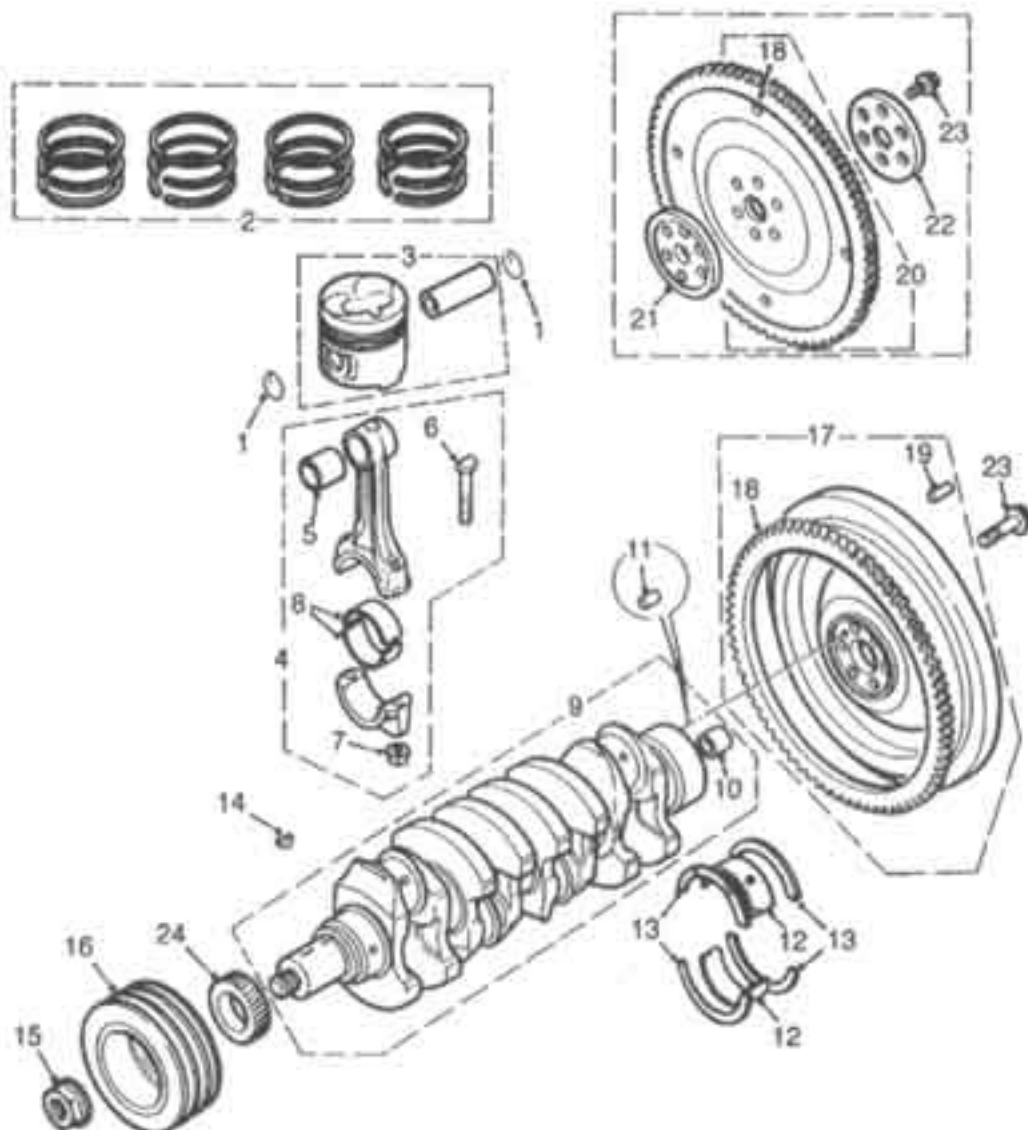
London Taxis International Taxi TX1 Range

C09

Fiche 1

Engine
Diesel Engine
Pistons, Crankshaft and Flywheel

Illus	Part Number	Description	Quantity	Change Point	Remarks
	1 800087	Ring-snap	8		
	2 800088	Ring set assembly-piston.....	1	Note (1)	
	2 900561	Ring set assembly-piston.....	1	Note (2)	
	3 800085	Piston-engine-'1'-O.E.....	4	Note (1)	
	3 800086	Piston-engine-'2'-O.E.....	4	Note (3)	
	3 900559	Piston-engine-'1'-O.E.....	4		
	3 900560	Piston-engine-'2'-O.E.....	4	Note (4)	
	3 801879	Piston-engine-LTI approved.....	4		
	3 900523	Piston-engine-'1'.....	1	Note (4)	
	3 900524	Piston-engine-'2'.....	1		
	4 800089	ROD-CRANKSHAFT CONNECTING.....	4		
	5 800090	• Bush.....	4		
	6 800091	• Bolt-connecting rod.....	8		
	7 800092	• Nut-connecting rod.....	8		
		BEARING-HALF BIG END CONNECTING ROD			
	8 800093	standard.....	8		
	8 800094	0.25mm undersize.....	8		
	8 800095	0.50mm undersize.....	8		
	8 800096	0.75mm.....	8		
	8 800097	1.0mm.....	8		
	9 800098	CRANKSHAFT ASSEMBLY-ENGINE.....	1		
	10 800099	• Bush-crankshaft.....	1		
	11 800100	• Pin.....	1		
		BEARING-HALF MAIN PLAIN			
	12 800101	standard.....	1		
	12 800102	0.25mm undersize.....	1		
	12 800103	0.50mm undersize.....	1		
	12 800104	0.75mm.....	1		
	12 800105	1.0mm.....	1		



CHANGE POINTS:

- (1) To (E)TD27 504597
- (2) From (E)TD27 504598
- (3) From (E)TD27 504598 To (E)TD27 597756
- (4) From (E)TD27 597757

London Taxis International Taxi TX1 Range

C10
Fiche 1

Engine
Diesel Engine
Pistons, Crankshaft and Flywheel

illus Part Number

Description

Quantity

Change Point

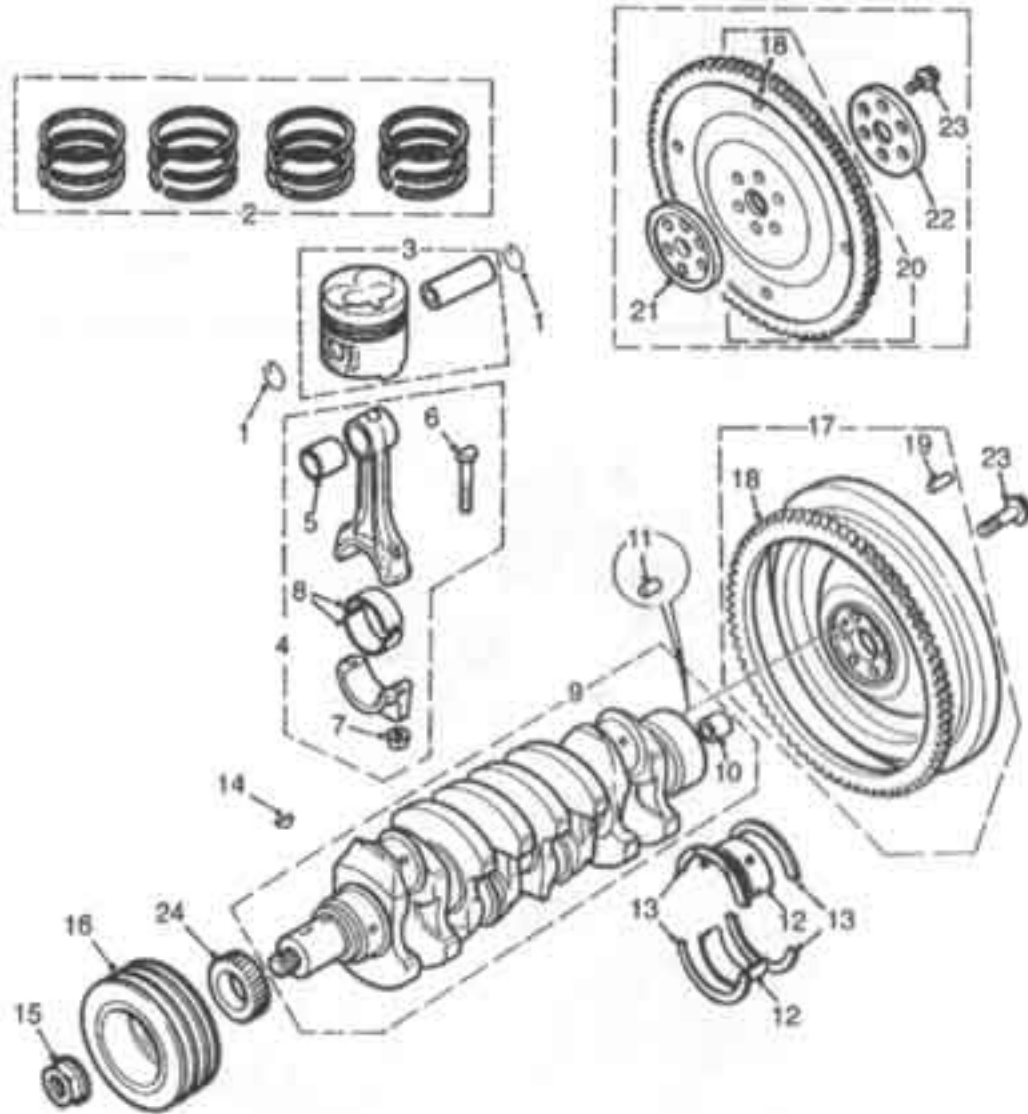
Remarks

- 13 800106
- 13 800107
- 13 800108
- 13 800109
- 13 800110
- 14 800111
- 15 800112
- 16 800113
- 17 800114
- 18 800116
- 19 800117
- 20 801197
- 20 900557
- 20 900558
- 21 800119
- 22 800120
- 23 800121
- 24 800123

- WASHER-CRANKSHAFT THRUST
- standard-grade A 2
- standard-grade B 2
- standard-grade C 2
- 0.20mm oversize 2
- 0.40mm 2
- Key-crankshaft 2
- Nut 1
- Pulley-crankshaft 1
- FLYWHEEL ENGINE 1
- Gear-ring-flywheel engine 1
- Dowel-clutch/flywheel engine 3
- PLATE-DRIVE ASSEMBLY AUTOMATIC 1
- TRANSMISSION 1
- PLATE-DRIVE ASSEMBLY AUTOMATIC 1
- TRANSMISSION 1
- PLATE-DRIVE ASSEMBLY AUTOMATIC 1
- TRANSMISSION 1
- Spacer 1
- Plate-support-drive plate automatic transmission .. 1
- Bolt-fixing flywheel crankshaft 6
- Sprocket-crankshaft 1

Note (1)
Note (2)
Note (3)

GRADE A = 2.325MM
GRADE B = 2.350MM
GRADE C = 2.375MM



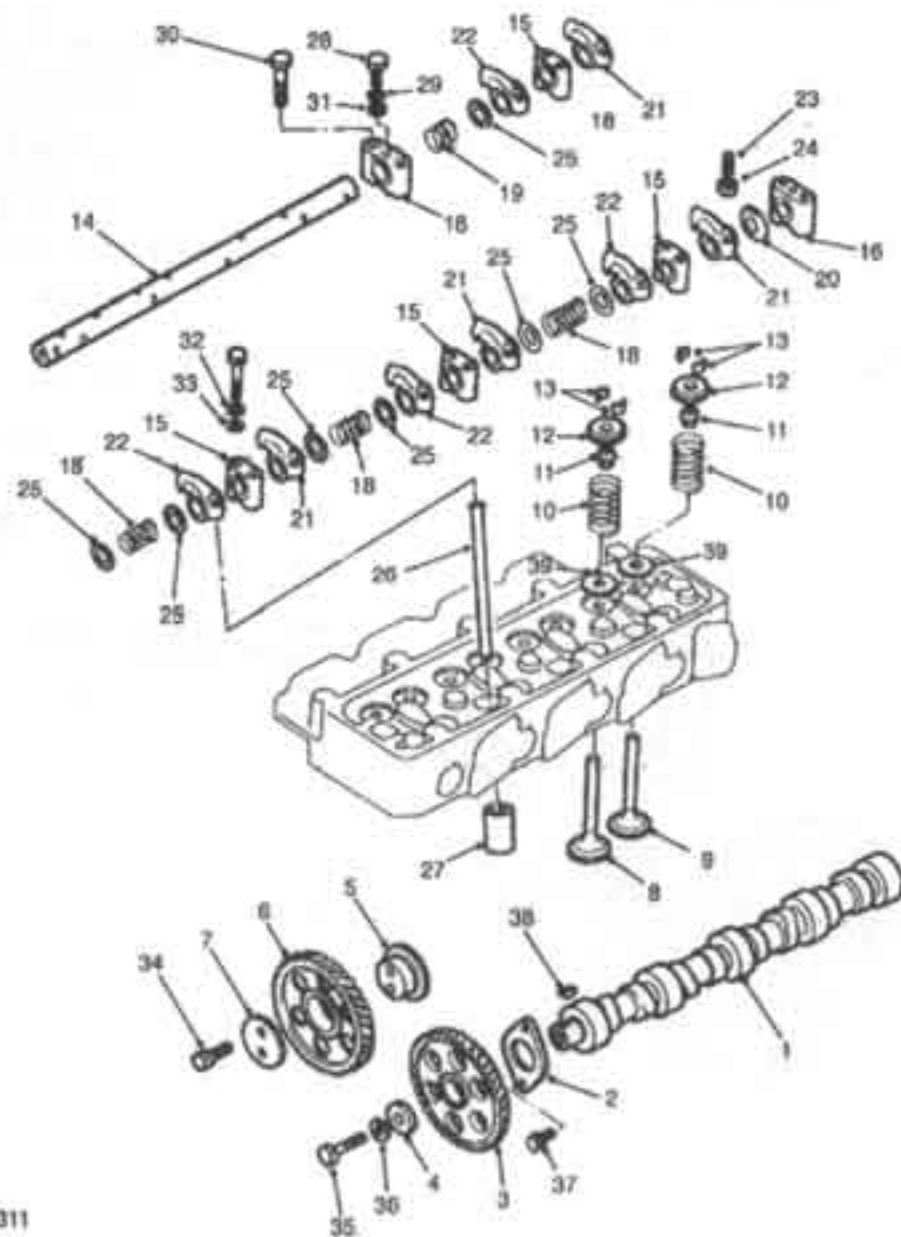
CHANGE POINTS:

- (1) To (E)TD27 504597
- (2) From (E)TD27 504598 To (E)TD27 557516
- (3) From (E)TD27 557517

London Taxis International Taxi TX1 Range

C11
Fiche 1

Engine
Diesel Engine
Camshaft and Valve Gear



illus Part Number

- 1 800124
- 1 900501
- 2 800125
- 3 800126
- 3 900502
- 4 800127
- 5 800128
- 6 800129
- 7 800130
- 8 800131
- 8 801897
- 9 800132
- 9 801898
- 10 800133
- 10 900503
- 11 800134
- 12 800135
- 13 800136
- 14 800137
- 15 800138
- 16 800139
- 18 800140
- 19 800141
- 20 800142
- 21 800143
- 22 800144
- 23 800145
- 24 800146
- 25 800147
- 26 800148
- 27 800149
- 27 900680

Description

- Camshaft-engine 1
- Camshaft-engine 1
- Plate-camshaft retaining 1
- Gear-camshaft drive 1
- Gear-camshaft drive 1
- Washer-plain 1
- Shaft-idler 1
- Gear assembly 1
- Plate 1
- Valve-cylinder head inlet-O.E. 4
- Valve-cylinder head inlet-LTI approved 4
- Valve-cylinder head exhaust-O.E. 4
- Valve-cylinder head exhaust-LTI approved 4
- Spring-cylinder head valve 8
- Spring-cylinder head valve 1
- Seal-cylinder head valve stem 8
- Cap-cylinder head valve spring 8
- Collet-cylinder head valve 16
- Shaft-rocker 1
- Pillar-cylinder head rocker support 4
- Pillar-cylinder head rocker support 2
- Spring-rocker shaft 3
- Spring-rocker shaft 1
- Retainer 1
- Rocker assembly-cylinder head 4
- Rocker assembly-cylinder head 4
- Screw-engine tappet adjustment 8
- Nut 8
- Washer 7
- Rod-engine push 8
- Tappet-engine valve mechanical 8
- Tappet-engine valve mechanical 8

Quantity

Change Point

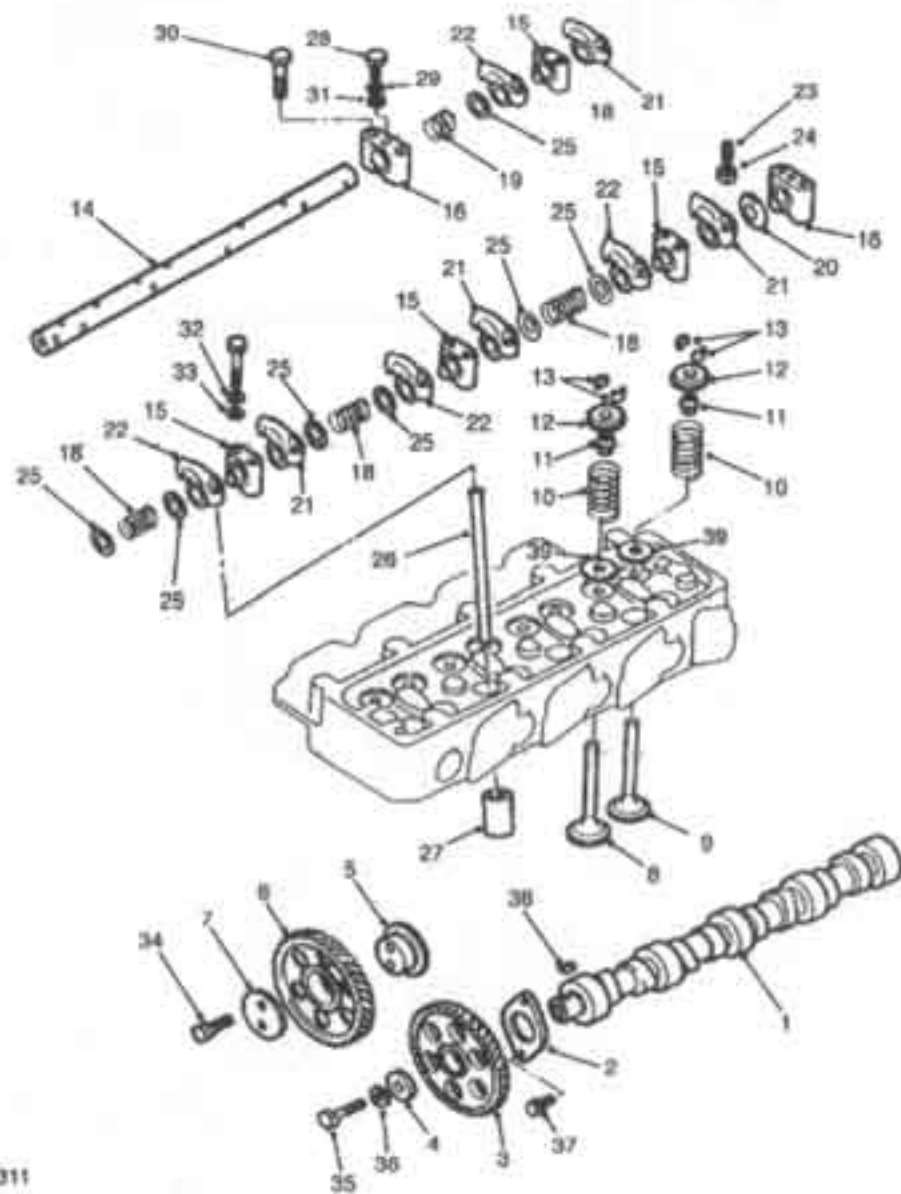
Remarks

To (E)TD27 504597
From (E)TD27 504598

London Taxis International Taxi TX1 Range

C12
Fiche 1

Engine
Diesel Engine
Camshaft and Valve Gear



Illus Part Number

- 28 801020
- 29 801062
- 30 800989
- 31 801075
- 32 801064
- 33 801073
- 34 801043
- 35 801049
- 36 801067
- 37 802278
- 38 801111
- 39 900504

Description

- Bolt..... A/R
- Washer A/R
- Bolt..... A/R
- Washer A/R
- Washer-spring A/R
- Washer-plain..... A/R
- Bolt..... A/R
- Bolt..... A/R
- Washer-spring A/R
- Bolt..... A/R
- Key-camshaft location..... 1
- Seat-cylinder head valve spring..... 8

Quantity

Change Point

Remarks

..... EGR

London Taxis International Taxi TX1 Range

C13
Fiche 1

Engine
Diesel Engine
Front Cover and Fittings

illus Part Number

- 1 800150
- 1 900525
- 2 800151
- 3 800152
- 4 800153
- 5 800154
- 6 800155
- 7 800156
- 8 800157
- 9 800158
- 10 800159
- 11 800160
- 12 800161
- 13 800162
- 14 801036
- 15 801035
- 16 801034
- 17 801022
- 18 801028
- 19 801037

Description

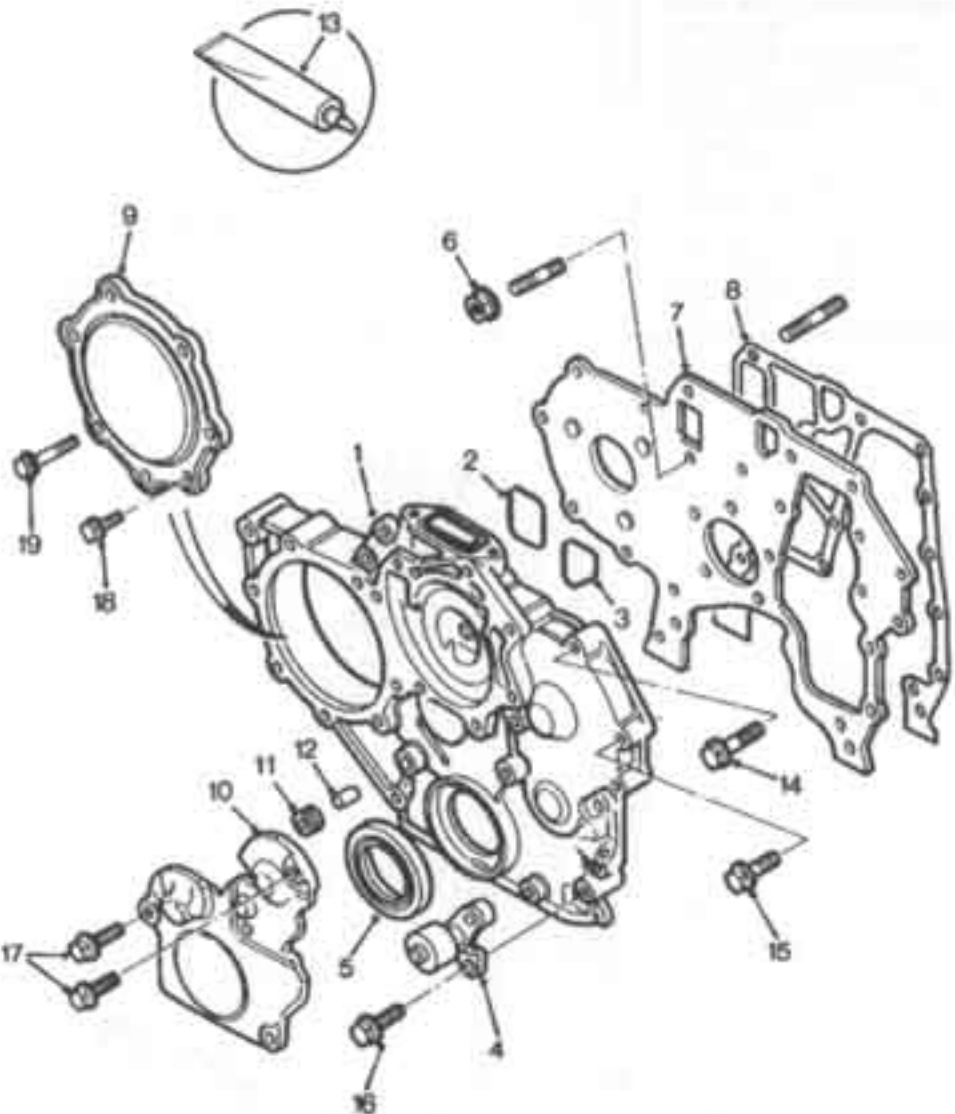
- Cover assembly-front..... 1
- Cover assembly-front..... 1
- O ring..... 1
- O ring..... 1
- Pulley-tensioner ancillary drive..... 1
- Seal-crankshaft front oil..... 1
- Nut..... 1
- Plate..... 1
- Gasket-timing gear housing..... 1
- Plate-cover timing gear-front..... 1
- Plate-cover timing gear..... 1
- Grommet..... 1
- Spacer..... 1
- Gasket-liquid..... A/R
- Bolt..... 1
- Bolt..... 1
- Bolt..... 1
- Bolt..... 1
- Bolt..... A/R
- Bolt..... A/R

Quantity

Change Point

Remarks

Non EGR
EGR



London Taxis International Taxi TX1 Range

C16

Fiche 1

Engine
Diesel Engine
Lubricating System-Pump and Filter

Illus Part Number

- 1 800170
- 2 800171
- 3 800172
- 4 800173
- 5 800174
- 11 800175
- 12 800176
- 12 801482
- 13 800177
- 14 801031
- 15 801021
- 16 801071
- 17 801036

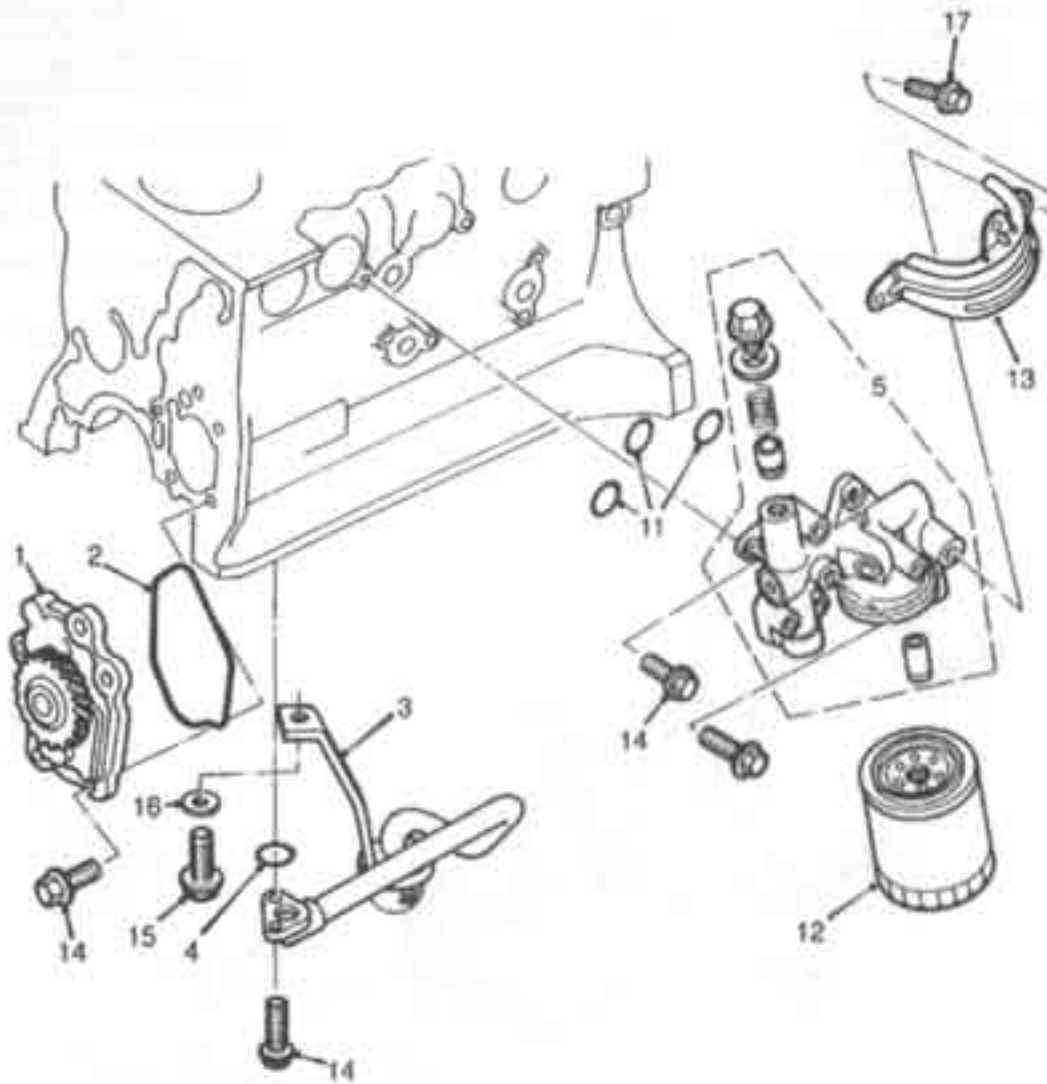
Description

- Pump assembly-engine oil..... 1
- Seal-oil pump..... 1
- Switch-oil pressure engine..... 1
- Strainer and pipe assembly-oil 1
- O ring..... 1
- Adaptor assembly-oil filter 1
- O ring..... 3
- Filter-oil-O.E..... 1
- Filter-oil-LTI approved 1
- Heatshield-oil filter 1
- Bolt..... 7
- Bolt..... 1
- Washer 1
- Bolt..... 2

Quantity

Change Point

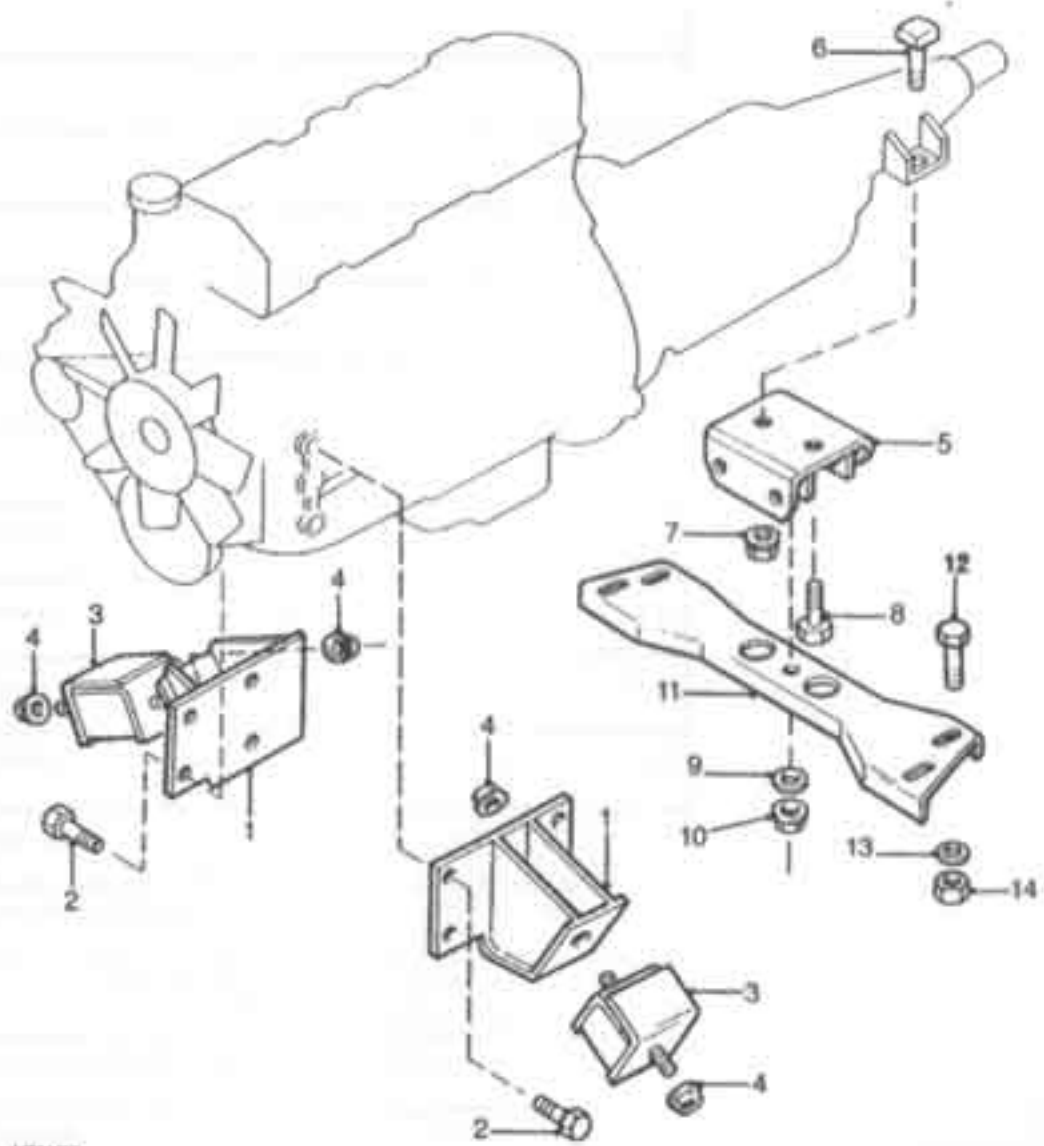
Remarks



London Taxis International Taxi TX1 Range

C18
Fiche 1

Engine
Diesel Engine
Engine and Transmission Mountings



Illus	Part Number
1	600092
2	600212
3	600211
4	600213
5	603284
6	603280
7	600213
8	603283
9	WPN10H
10	8137
11	600095
11	604477
12	802402
13	801763
14	801769

Description	Quantity	Change Point	Remarks
Bracket-engine mounting-front	2		
Screw-bracket to block	8		
Mounting-rubber-front	2		
Nut-mounting to bracket	4		
Mounting-gearbox	1		
Bolt-mounting to gearbox-manual	2		Manual
Nut-mounting to gearbox	2		Manual
Bolt-mounting to gearbox	2		Automatic
Washer-plain	1		
Nut-flange-nyloc-crossmember detachable to gearbox mounts-M10	1		
Crossmember-gearbox support	1		
Crossmember-gearbox support	1		
Setscrew-crossmember detachable to chassis frame-5/16UNF x 1	4		
Washer-plain-5/16"	4		
Nut-hexagonal-nyloc-5/16UNF	4		