

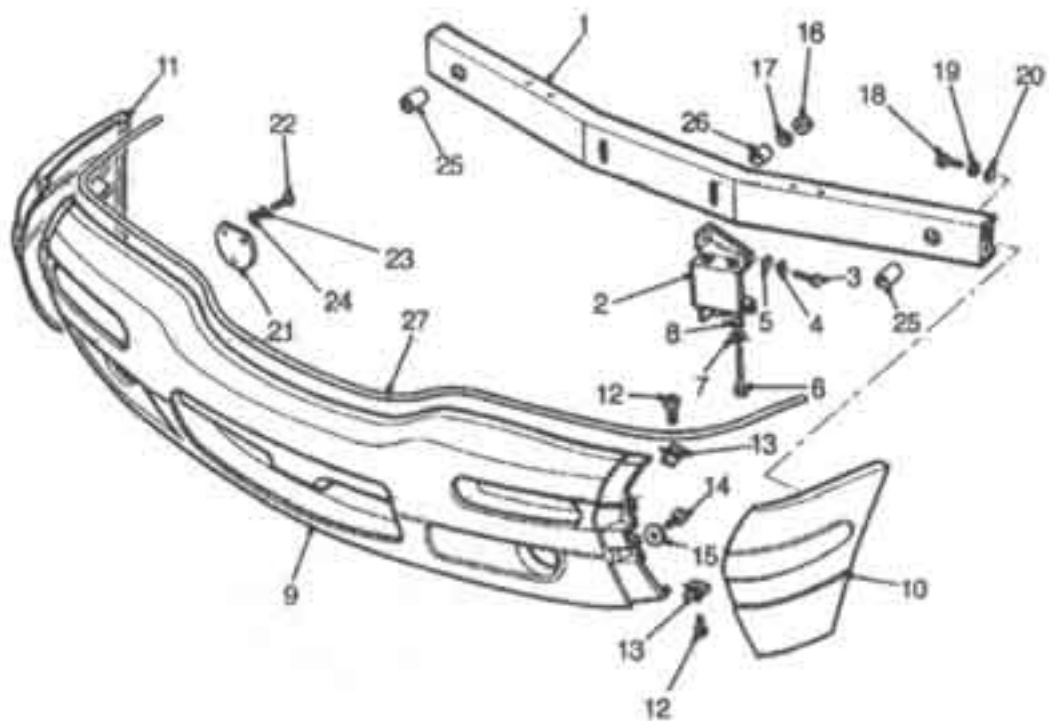
London Taxis International Taxi TX1 Range

O15

Fiche 1

Chassis & Bodyshell Bumpers Front Bumper and Fittings

Illus	Part Number	Description	Quantity	Change Point	Remarks
	1	606886	Armature-front bumper	1	
	2	607631	Bracket-front bumper armature extension-LH.....	1	
	2	607632	Bracket-front bumper armature extension-RH.....	1	
	3	B1025HEXDC	Bolt-M10 x 25.....	4	
	4	WS10HDC	Washer-spring-M10	4	
	5	WPL10HDC	Washer-plain-Dacromet-M10.....	4	
	6	B10130HEXDC	Setscrew.....	4	
	7	WS10HDC	Washer-spring-M10	4	
	8	WPL10HDC	Washer-plain-Dacromet-M10.....	4	
	9	900359	Moulding-front bumper-Black.....	1	
	10	900360	End cap-front bumper-LH-Black	1	
	11	900361	End cap-front bumper-RH-Black.....	1	
		8182SS	Screw-No 8 x 3/4-stainless steel.....	2	From (V) XC Jan 2000
		9611	Nut-spring-u type	2	From (V) XC Jan 2000
	12	8095DC	Screw-flanged head-No 10 x 3/4	4	
	13	608203	Nut-spring-u type	4	
	14	S616PANTRXDC	Setscrew-M6 x 16.....	2	
	15	608201	Washer-plain.....	2	
	16	NLB	Nut-hexagonal-nyloc-M8.....	4	
	17	WPL8HDC	Washer-plain-M8-Dacromet.....	4	
	18	S616HEXDC	Setscrew-M6 x 16-Dacromet	2	
	19	WS6HDC	Washer-spring-M6-Dacromet	2	
	20	8218DC	Washer-plain-M6 x 20-Dacromet.....	2	
	21	608770	Plate-primed front bumper fog lamp blanking.....	2	
	22	S616PAN	Setscrew-M6 x 16.....	2	
	23	WS6H	Washer-spring-M6	6	
	24	WPN6L	Washer-plain-M6	2	
	25	608436	Spacer-long	2	
	26	608437	Spacer-short	4	
	27	608521	Strip-flexible adhesive.....	A/R	

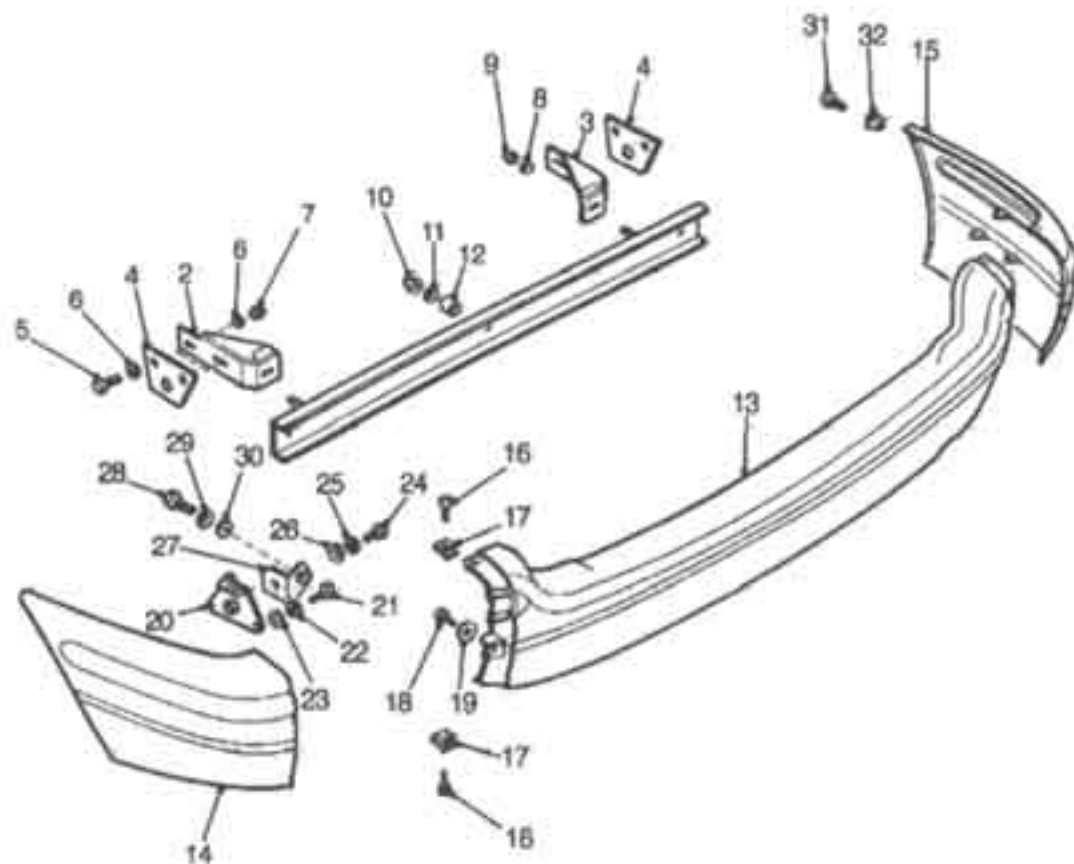


London Taxis International Taxi TX1 Range

O16
Fiche 1

Chassis & Bodyshell
Bumpers
Rear Bumper and Fittings

Illus	Part Number	Description	Quantity	Change Point	Remarks
	1	606673 Armature-rear bumper.....	1		
	2	606679 Bracket-mounting-rear bumper-LH.....	1		
	3	606680 Bracket-mounting-rear bumper-RH.....	1		
	4	603400 Bracket-towing-rear.....	2		
	5	S1030HEXDC Setscrew-mounting bracket to frame-M10 x 30.....	4		
	6	WPL10HDC Washer-plain-Dacromet-M10.....	8		
	7	NL10 Nut-hexagonal-nyloc-M10.....	4		
	8	NL8 Nut-hexagonal-nyloc-armature to mounting bracket-M8.....	2		
	9	WPL8HDC Washer-plain-M8-Dacromet.....	2		
	10	NL8 Nut-hexagonal-nyloc-armature to bumper centre moulding-M8.....	3		
	11	WPL8HDC Washer-plain-M8-Dacromet.....	3		
	12	608437 Spacer-short.....	3		
	13	900362 Moulding-rear bumper-Black.....	1		
	14	900363 End cap-rear bumper-LH-Black.....	1		
	15	900364 End cap-rear bumper-RH-Black.....	1		
	16	8095DC Screw-flanged head-No 10 x 3/4.....	4		
	17	608203 Nut-spring-u type.....	4		
	18	S616PANTRXDC Setscrew-M6 x 16.....	4		
	19	608201 Washer-plain.....	4		
	20	900376 Bracket-rear bumper support.....	2		
	21	S616HEXDC Setscrew-M6 x 16-Dacromet.....	6		
	22	WS8HDC Washer-spring-M6-Dacromet.....	6		
	23	WPL6HDC Washer-plain-M6-Dacromet.....	6		
	24	S1025HEXDC Setscrew-end cap mounting bracket to body-M10 x 25.....	2		
	25	WS10HDC Washer-spring-M10.....	2		
	26	8229DC Washer.....	2		
	27	608555 Bracket-rear bumper endcap-LH.....	1		
	27	608556 Bracket-rear bumper endcap-RH.....	1		
	28	S816HEXDC Screw-adjuster bracket to body-M8 x 16-Dacromet.....	2		
	29	WPL8HDC Washer-plain-M8-Dacromet.....	2		
	30	WS8HDC Washer-spring-M8-Dacromet.....	2		
	31	8095DC Screw-flanged head-end cap to adjuster bracket-No 10 x 3/4.....	2		
	32	607075 Nut-plastic.....	2		

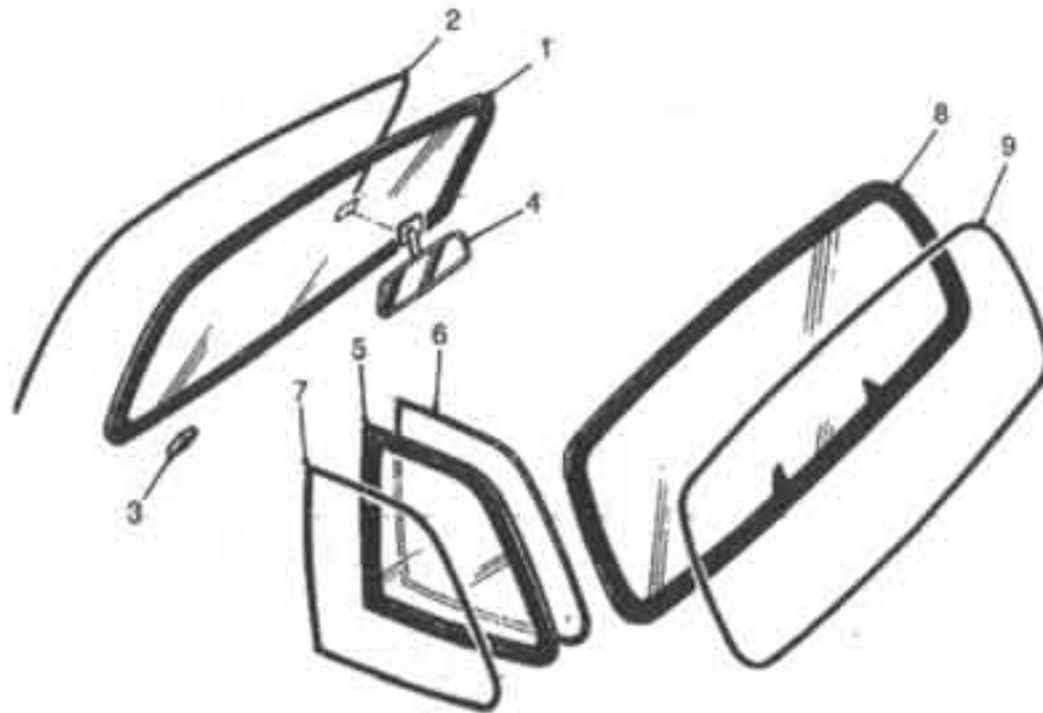


London Taxis International Taxi TX1 Range

O17
Fiche 1

Chassis & Bodyshell
Body Fixed Glass
Body Fixed Glass

Illus	Part Number	Description	Quantity	Change Point	Remarks
1	607036	Windscreen assembly.....	1		
2	606485	Finisher-windscreen.....	1		
3	600862	Spacer	1		
4	607722	Mirror-interior dipping	1		
5	606439	Glass-rear quarter-LH.....	1		
6	606440	Glass-rear quarter-RH.....	1		
7	607083	Seal-rear quarter glass-inner-LH	1		
8	607084	Seal-rear quarter glass-inner-RH	1		
9	606461	Weatherstrip-rear quarter-LH	1		
10	606462	Weatherstrip-rear quarter-RH.....	1		
11	608142	Glass-clear backlight	1		
12	606465	Finisher assembly-backlight	1		



London Taxis International Taxi TX1 Range

O18

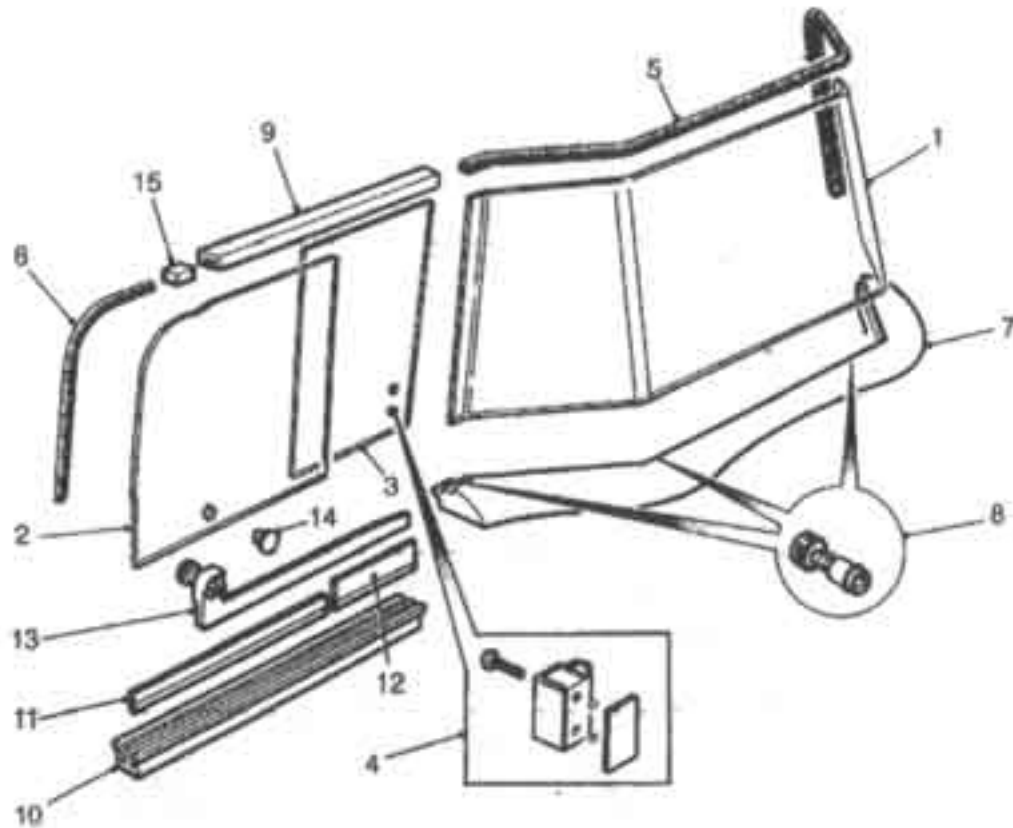
Fiche 1

Chassis & Bodyshell

Division Glass

Division Glass

Illus	Part Number	Description	Quantity	Change Point	Remarks
1	608364	Glass assembly-division-fixed-RH	1	Note (1)	
1	609378	Glass assembly-division-RH-fixed-RHD	1	Note (2)	
1	609171	Glass assembly-division-LH-LHD	1		
2	607133	Glass assembly-division-LH-fixed	1	Note (3)	
2	609637	Glass assembly-division-LH-RHD	1	Note (4)	
3	900668	GLASS ASSEMBLY-DIVISION-LH	1	Note (1)	
3	900603	GLASS ASSEMBLY-DIVISION-SLIDING-LH	1	Note (2)	
4	604410	* Catch-sliding glass	1		
5	608054	Finisher-fixed glass-RH	1		
6	608321	Finisher-fixed glass-LH	1	Note (3)	
6	609793	Finisher-fixed glass-LH	1	Note (4)	
7	608060	Carrier-glass division	1	Note (3)	
7	609638	Carrier-glass division-RH-RHD	1	Note (5)	
7	610443	Carrier-glass division-RH-RHD	1	Note (6)	
7	609177	Carrier-glass division-LH-LHD	1		
8	608482	Screw	3		
9	608990	Channel-glazing-thin	1		
10	608057	Channel-glazing-thick	1	To (V) XC 104602	
10	609589	Channel-glazing-thick	1	From (V) XC 104603	
11	608383	Support-fixed glass	1		
12	608384	Stop rubber-glass division-fixed	1		
13	609330	SLIDER ASSEMBLY-DIVISION GLAZING-RHD	1		
8	608482	* Screw	1		
13	609146	Slider assembly-division glazing-RH-LHD	1		
14	608345	Boss support-sliding glass	1		
15	608864	Stop rubber-glass division-top	1		



CHANGE POINTS:

- (1) To (V) WC 101923
- (2) From (V) WC 101924
- (3) To (V) WC 102766
- (4) From (V) WC 102767
- (5) From (V) WC 102767 To (V) XC 105568
- (6) From (V) XC 105569